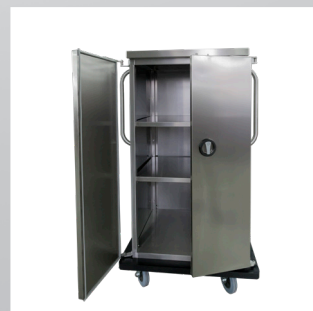




PRO & CLEANassist

Functional furniture for the operating theatre, outpatient departments
and for sterile supply and disposal



An unbeatable team

MEGAprogress, MEGAdrive & store, PRO & CLEANassist

MED-Systeme provides system solutions for medical functional areas in clinics and hospitals, as well as outpatient departments and medical practices.

MEGAprogress is full of rich features. Perfectly-fitted furnishings are planned for every imaginable functional area, for example sterilisation areas. Instrument and implant storage cabinets, endoscope and catheter storage cabinets – MEGAprogress provides a solution to all technical requirements in hospitals and medical practices.

The "little brother" **MEGAdrive** is the mobile addition to the MEGAprogress cabinet range. Everything that needs to be brought to patients quickly can be loaded into, hung onto or clicked into it.

The **MEGAstore** offers ample space for an entire day's worth of consumables. Individually usable modules can be used to store everything needed in the day-to-day running of a clinic. Dust-tight and clean behind space-saving roller shutters or individually opening hinged doors. Stylish and modern in shape and colour, smart in its versatility as a valuable assistant – this is why the MEGAstore was distinguished with the Reddot Award 2014.

Our mobile functional furniture **PROassist** provides safety and high quality in every respect. The range contains a wealth of clever, mobile assistants for all the functional areas of a clinic. There is a focus on flexibility and hygiene in all of the products, whether they are furniture, seating or equipment. All of the furniture is made of stainless steel and thus corrosion-resistant, resistant to disinfectants, hygienic and easy to care for. For more details see the Cleaning and disinfection manual of PRO and CLEANassist products.

Our sterile supply and disposal components have proven themselves in countless sterilization departments. With our expanded **CLEANassist** product line, we are presenting an integrated system solution that implements innovative ideas in order to optimally organize the sterile supply and disposal cycle. The two product ranges have been merged into **PRO & CLEANassist**.

As a system supplier in the medical technology field, we offer not only comprehensive product know-how but also competence in the organisation of logistical processes in the hospital. We respond individually to your needs to create a suitable solution for any requirements. Our systems are designed to be modular and flexible. They can be easily customised and supplemented. Everything from a single source.

MED-Systeme - Your medical technology system supplier.



reddot design award
winner 2012



reddot design award
winner 2011



reddot award 2014
winner

PRO & CLEANassist

Organisation with a system

Well Thought-Out Sterile Supply Logistics Solutions

Our mobile functional furniture

PROassist provides safety and high quality in every respect. The range contains a wealth of clever, mobile assistants for all the functional areas of a clinic.

There is a focus on flexibility and hygiene in all of the products, whether they are furniture, seating or equipment. All of the furniture is made of stainless steel and thus corrosion-resistant, resistant to disinfectants, hygienic and easy to care for – throughout its entire service life.

Advantages at a glance

- Manoeuvrable synthetic antistatic double castors ensure optimum mobility.
- The five-footbase provides a high level of stability.
- All PROassist products have a ground surface which is very refined and

Contents

Logistics solutions for Sterile Supply and Disposal	4
Furniture for the operating theatre and outpatient department	6
Operating theatre rolling swivel chair and swivel stool	12
Supply and disposal	14
Sterile Equipment with Soft Packaging	20
Use in the Operating Theatre and Ambulances	21
Instrument trolleys	23
Transport and multi-purpose trolleys, accessories	28
Cleaning Table Facilities	32
Packing Table Facilities	34
Packing Table Equipment	39
Transport Systems	46
Storage	55
Cabinet Systems	56
Shelving Systems	60
Never stop improving	63

hygienic.

- Available in numerous equipment variants.
- High level of stability.
- Welded without joints to eliminate corners and edges.
- The electrically conductive design of all relevant parts prevents static charging.
- Reliable service from the manufacturer.

CLEANassist – the economical and hygienic sterile supply and disposal solution

In hospitals, the hygienic supply chain is extremely important in order to prevent infections and to guarantee a high level of safety for patients and employees. Logistics requirements must be met with regards to hygiene – this is the only way hygienic measures can be implemented

in an economical manner. In this context, the ergonomic design of workstations optimal storage and transportation components are crucial.

At MED-Systeme Ltd., our core competency is processing stainless steel. Stainless steel is an especially hygienic and robust material that is predestined for sterilization.

Single-source sterile equipment logistics:

MED-Systeme Ltd. offers a clever solution that ensures high process security for every link in the logistics chain – from the use in the operating theatre and ambulances to the preparation of sterile equipment, from packing and transportation to storage.

Our solutions combine the following:

- The requirement for functional workstations and for workplace safety
- Hygiene requirements
- Economic goals of hospital management



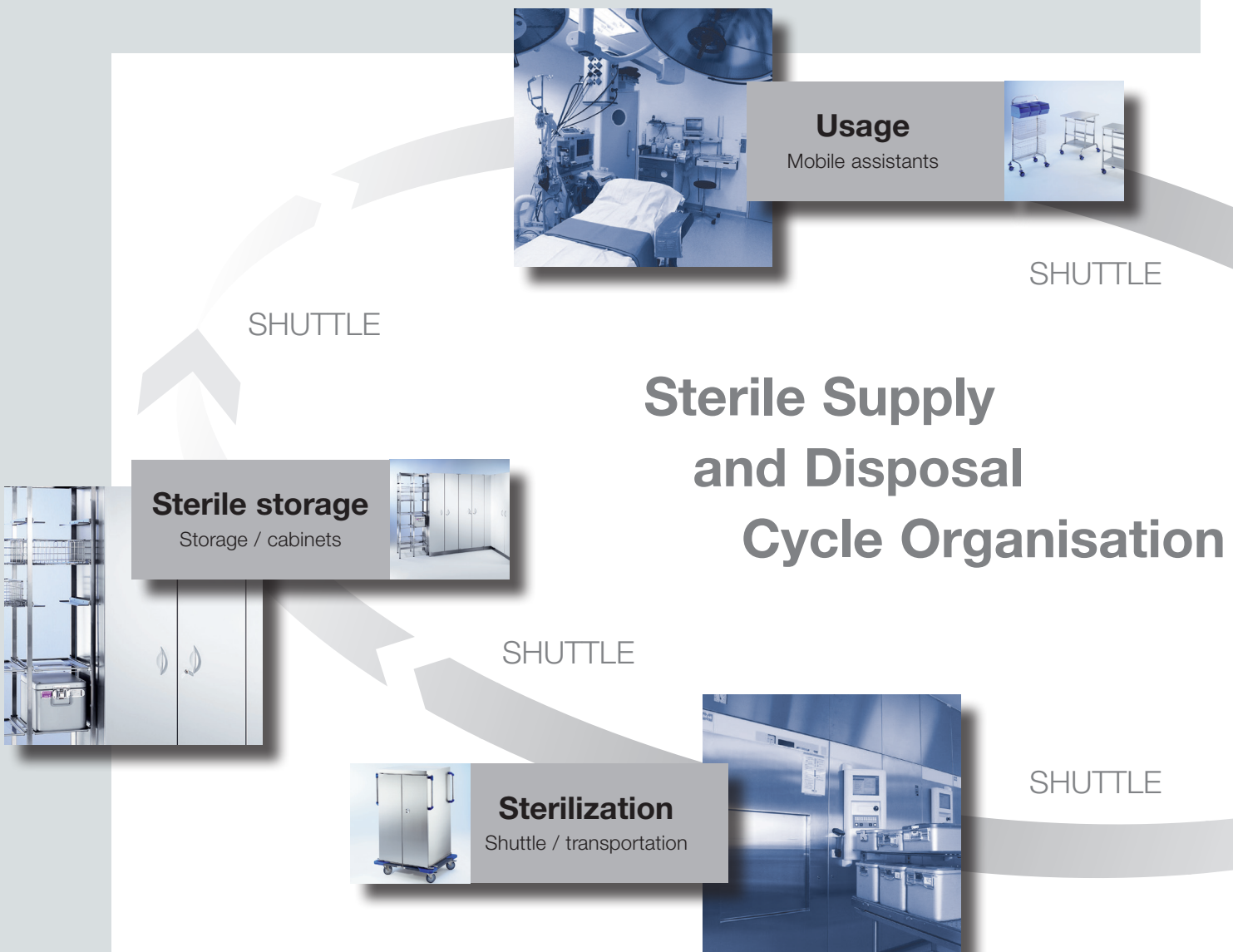
PRO & CLEANassist Sterile Supply and Disposal

PRO & CLEANassist offers clever solutions for every step of the sterile supply and disposal cycle.

Round and round it goes – the sterile supply and disposal cycle.

The **step one** in the sterile supply and disposal cycle: You use sterile equipment in the operating theatre, in ambulances, or on the ward. Mobile helpers by MED-Systeme Ltd., such as disposal stations or hook trolleys, can be deployed in a flexible manner. Many of them are available in the proven StU standard.

Step two: Disposal and cleaning. MED cleaning tables stand ready for cleaning and disposal. They can be equipped with compressed air, an ultrasound cleaning bath, splash guards, and other useful accessories according to customer requirements.



PRO & CLEANassist

Good all around

Step three: Packing. MED-Systeme Ltd. supplies sturdy packing stations and packing tables for repackaging sterile equipment. The height adjustment option makes it possible to work in an ergonomic manner that relieves back strain. The packing table is optimized further with accessories such as an illumination bar or rack attachment.

Step four: Sterilization. All packaged? Time for interim storage – directly on the slide-in rack of the shuttle transport system. Effort is minimized: The packed sterile goods containers remain in the slide-in rack from the packing table to the autoclave and all the way to the user. All this without reloading individual containers at the transfer points.

Step five: Storage. The sterile equipment is stored in the enclosed MED transportation shuttle, in a parking cabinet for slide-in racks, in pass-through units, or on shelves.



Disposal

Cleaning tables and equipment



SHUTTLE



Packing

Packing stations
packing tables



For use in the operating theatre or in ambulances, for cleaning, packing, transportation, or storage:
The integrated solution consisting of the PRO & CLEANassist product line ensures smooth processes and the highest level of hygiene combined with maximum economy.

A handle on safety

There are two criteria for products in the most sensitive medical area, the Operating Theatre. They require absolutely hygienic materials and maximum functionality. Every movement must be perfect, and each unit must be within reach!

The PROassist range is specifically designed to support the work of operating theatre personnel.



1



2

Bowl stands

The bowl stands securely hold solutions, liquids, cloths, etc.

Mobile 5-foot design made of stainless steel and welded without joints. With push handle and removable stainless steel bowl. Abrasion-resistant, non-discolouring, corrosion-resistant, synthetic antistatic double castors (5 steering castors, diameter 75 mm, 2 of which have brakes); Bowl: capacity 6 litres, outside diameter 320 mm.

	Model	Weight	Dimensions (W x D x H)	Item no.
1	Bowl stand, single	4 kg	635 x 670 x 865 mm	542 164
2	Bowl stand, double	7 kg	635 x 700 x 865 mm	542 165

Furniture for the OT and outpatient department



Mayo instrument table All surgical instruments are well-organised and within reach on the mobile and height-adjustable mayo instrument table.					
	Model	Design	Weight	Dimensions (W x D x H)	Item no.
1	Mayo instrument table	Mobile 4-foot design made of stainless steel and welded without joints. Sturdy, seamless deep-drawn table top made of stainless steel, with rounded corners and edges. Manually height-adjustable from 830-1300 mm. Max. surface load: 30 kg Abrasion-resistant, non-discolouring, corrosion-resistant synthetic double castors, 2 of which are electrically conductive (4 steering castors dia. 75 mm).	22 kg	Dimensions of table top: 640 x 440 mm 640 x 440 x 830/1300 mm	542 182

For more information, custom size please consult your local authorized Partner.

Hydraulic pump mayo instrument table The practical mayo instrument table, easily height-adjustable using a foot pedal.					
Heavy 3-foot design with tip safety and installed precision pump (closed hydraulic system, max. load 30 kg, maintenance-free, immediately ready for operation) for height adjustment from 950–1350 mm with foot pedal operation, frame construction and lifting column made of stainless steel. Step bar provided with electrically-conductive rubber protection. Sturdy, seamless deep-drawn table top made of stainless steel, with rounded corners and edges, can be rotated and locked. Abrasion-resistant, non-discolouring, corrosion-resistant synthetic double castors, 1 is electrically conductive (3 steering castors dia. 75 mm)					
	Model	Description	Weight	Dimensions (W x D x H)	Item no.
2	Hydraulic pump mayo	Table top: 640 x 440 mm	30 kg	730 x 540 x 950/1350 mm Table top: 640 x 440 mm	543 270
	Hydraulic pump mayo	Table top: 740 x 540 mm	31 kg	780 x 540 x 950/1350 mm Table top: 740 x 540 mm	543 271
	Hydraulic pump mayo Lower version	Table top: 740 x 540 mm	28 kg	740 x 540 x 650/850 mm Table top: 740 x 540 mm	543 271 01
Hydraulic pump mayo instrument table, Model Tübingen All of the instruments can really be accommodated on this extremely large table top.					
Made of stainless steel, with installed precision pump (closed hydraulic system, max. load 30 kg, maintenance-free, immediately ready for operation) for height adjustment from 950–1350 mm. Especially large table top, can be rotated by 360° and can be locked.					
	Model	Description	Weight	Dimensions (W x D x H)	Item no.
3	Hydraulic pump mayo Model Tübingen	Abrasion-resistant, corrosion-resistant double ball bearing castors (4 steering castors, dia. 125 mm, 2 of which have brakes), electrically conductive.	43 kg	1200 x 600 x 950/1350 mm	543 269

For more information, custom size please consult your local authorized Partner.

Furniture for the OT and outpatient department



1

Hand and arm surgical table

This surgical table is designed for surgery to the hand or arm. Manually height-adjustable, with radiolucent table top.

Model	Design	Weight	Dimensions (W x D x H)	Item no.
1 Hand and arm surgical table	<p>Mobile 4-foot design made of stainless steel and welded without joints. Table top with radiolucent upholstery, height 30 mm, can be removed or tilted to all sides with ball joint; can be tightly fixed in place with clamping lever.</p> <p>Manually height-adjustable from 760-1030 mm. Antistatic upholstery. Loading capacity: 15 kg.</p> <p>Abrasion-resistant, non-discolouring, corrosion-resistant synthetic double castors, 2 of which are electrically conductive (4 steering castors dia. 75 mm).</p>	7 kg	450 x 450 x 760-1030 mm	542 169



2



3

Bucket stand

For discarding consumables quickly in the operating theatre.

Model	Design	Weight	Dimensions (W x D x H)	Item no.
2 Bucket stand without push handle	<p>Mobile, made of stainless steel, jointless, with all-round electrically-conductive bumper ring, support for stainless steel bucket. With stainless steel bucket, approx. 15 litre volume.</p>	6 kg	466 x 466 x 263 mm upper edge of the bucket: 465 mm	542 178
3 Bucket stand with push handle	<p>With 4 synthetic double castors, 2 of which are electrically-conductive (dia. 50 mm).</p>	7 kg	466 x 466 x 263 mm upper edge of the bucket: 465 mm	542 180

Furniture for the OT and outpatient department



1



2

Laundry and waste trolley

The transport trolley for worn surgical clothing or for waste of any type.

Mobile, jointless tubular frame design made of stainless steel, with hanging fixture which hold commercially-available laundry or waste sacks with 60/70 l volume, with moulded push handle. Special support frame prevents the laundry or waste sack from slipping through. With 4 synthetic double castors, 2 of which are electrically-conductive (dia. 75 mm), 2 castors with brake

	Model	Weight	Dimensions (W x D x H)	Item no.
1	Laundry and waste trolley, single for 1 laundry or waste sack	7 kg	575 x 350 x 777 mm	542 163
2	Laundry and waste trolley, double for 2 laundry or waste sacks	10 kg	1020 x 350 x 777 mm	542 166



3



4

Laundry and waste trolley with foot pedal

The transport trolley for worn surgical clothing or for waste of any type.

Mobile, jointless tubular frame design made of stainless steel, with hanging fixture which hold commercially-available laundry or waste sacks with 60/70 l volume, with moulded push handle and with foot pedal. Special support frame prevents the laundry or waste sack from slipping through. With 4 synthetic double castors, 2 of which are electrically-conductive (dia. 75 mm), 2 castors with brake.

	Model	Castors	Weight	Dimensions (W x D x H)	Item no.
3	Laundry and waste trolley, single for 1 laundry or waste sack with foot pedal, synthetic lid		7 kg	575 x 350 x 777 mm	542 172
4	Laundry and waste trolley, double for 2 laundry or waste sacks with foot pedal, synthetic lid		10 kg	1020 x 350 x 777 mm	542 173
Accessories					
	Synthetic lid for waste trolley Synthetic, for retrofitting on MED transport trolley for laundry and waste sacks.			403 x 360 mm	543 521

Furniture for the OT and outpatient department



1



2

Heavy duty mobile stand especially for holding infusion pumps - 'Infusion Max'

Made of electropolished stainless steel material; easy-to-move, ergonomic and robust. Adjustable infusion bottle holder arms with hooks, easy to set the required position.

High quality smooth-rolling castors, electrically conductive, rugged brakes on two of the castors, diameter: 125 mm.

	Model	Weight	Dimensions (W x D x H)	Item no.
1	Heavy duty mobile stand especially for holding infusion pumps Size of the infusion pump holder: 768 mm	16,4 kg	510 x 1804 x 632 mm Size of the infusion pump holder: 768 mm	542 174

Infusion stand

Practical one-hand mode

Made of stainless steel, 5-foot design welded without joints. Height-adjustable from 1520–2200 mm using one-hand height adjustment, with aqua gland with synthetic sealing ring and control ring; including stainless steel bottle holder with 4 safety infusion hooks.

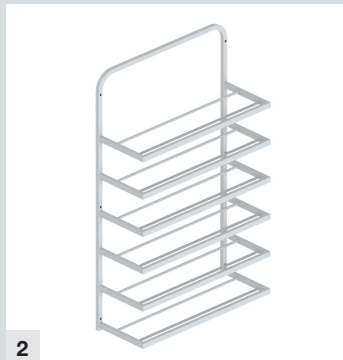
With drip vessel and holder; loading capacity per hook: 2 kg.

Non-discolouring, corrosion-resistant synthetic antistatic double castors (5 steering castors, dia. 75 mm, 2 of which have brakes).

	Model	Weight	Dimensions (W x D x H)	Item no.
2	Infusion stand Practical one-hand model	10 kg	630 x 630 x 1520/2200 mm	542 171



1



2

Operating theatre shoe racks

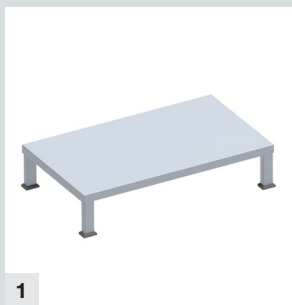
What to do with the operating theatre shoes?

Straight into the rack for the pre-operative and post-operative area.

	Model	Design	Weight	Dimensions (W x D x H)	Item no.
1	Operating theatre shoe rack, mobile	Mobile 4-foot design made of stainless steel, welded without joints, with 6 stainless steel tube frame levels as a support for 24 pairs of operating theatre shoes of all sizes. Abrasion-resistant, non-discolouring, corrosion-resistant synthetic antistatic double castors (4 steering castors, dia. 75 mm, 2 of which have brakes).	26 kg	970 x 580 x 1600 mm	542 187
2	Operating theatre shoe rack, wall-mounted	Stainless steel frame construction, welded without joints, with 7 stainless steel tube frame levels as a support for 30 pairs of operating theatre shoes of all sizes.	24 kg	894 x 345 x 1450 mm	542 188

Furniture for the OT and outpatient department

Stable 4-foot design made of stainless steel and welded without joints. Model and dimensions are in compliance with professional association guidelines. For easier cleaning with removable, non-slip, corrugated step surface made of stainless steel; 4 electrically conductive, non discolouring or non marking rubber feet.



1



2



3



4

	Model	Capacity	Weight	Dimensions (W x D x H)	Item no.
	Operating theatre step stool				
	The operating theatre step stool from MED-Systeme Ltd. has particularly durable feet!				
1	Operating theatre step stool, single, 130 mm high	Load capacity: 125 kg	4 kg	600 x 350 x 130 mm	542 191
2	Operating theatre step stool, single, 220 mm high	Load capacity: 125 kg	5 kg	600 x 350 x 220 mm	542 192
3	Operating theatre step stool, single, 300 mm high	Load capacity: 125 kg	6 kg	600 x 350 x 300 mm	542 193
4	Operating theatre step stool, double, 220/440 mm high	Load capacity: 100 kg	9 kg	600 x 650 x 220/440 mm	542 194

Operating theatre rolling swivel chair and swivel stool

There are demanding requirements on seating for use in the operating theatre. For example, the safe electrical discharge of all the parts in the surgical area is essential for patient safety.

The seating should also be ergonomic, rugged, hygienic and easy to clean. Ideally, it should also be height-adjustable. Operating theatre swivel stools and rolling swivel chairs from MED-Systeme reliably fulfil all of these requirements.



1



2



3



4

Operating theatre rolling swivel chair

Mobile 5-castor design made of stainless steel. Continuous height adjustment from 510–740 mm with installed gas pressure spring using foot operation with large, chromed safety foot bar; black electrically conductive upholstery with extension security lock according to DIN standards. Seat dia. 350/380 mm for round seat, 420 mm for saddle seat, upholstery thickness 100 mm for round seat, 80 mm for saddle seat, footprint dia. 480 mm, 140 kg loading capacity. Abrasion-resistant, non-discolouring, corrosion-resistant synthetic castors (5 steering castors, dia. 50 mm with double ball bearing, 3 of which are electrically conductive, foot brake integrated in the transport frame).

	Model	Weight	Backrest	Dimensions (W x D x H)	Item no.
1	Rolling swivel chair with round seat	25 kg net/30 kg gross	no backrest	480 x 600 mm	344 351
2	Rolling swivel chair with round seat and backrest	30 kg net/35 kg gross	with backrest adjustable by 45 mm	480 x 900 mm	344 352
3	Rolling swivel chair with saddle seat	25 kg net/30 kg gross	no backrest	480 x 600 mm	344 353
4	Rolling swivel chair with saddle seat and backrest	30 kg net/35 kg gross	with backrest adjustable by 45 mm	480 x 900 mm	344 354

Operating theatre rolling swivel chair and swivel stool



Swivel stools

You can use these swivel stools in all functional rooms and the operating theatre because they are electrically conductive

Stainless steel design with precision-spindle height adjustment, glass-bead blasted. Upholstered seats (dia. 340 mm) with electrically-conductive black cover. 140 kg load capacity.

Stationary models with electrically conductive-rubber feet. Mobile models with 5 steering castors, dia. 50 mm (abrasion-resistant, non-discolouring, corrosion-resistant synthetic double castors, 3 of which are electrically conductive).

Model	Weight	Castors	Dimensions (W x D x H)	Item no.
1 Swivel stool with seat and spindle made of stainless steel, glass-bead blasted Stationary model with electrically conductive-rubber feet.	9 kg	no castors	460 x 400/620 mm	344 355
2 Mobile swivel stool with seat and spindle made of stainless steel, glass-bead blasted	9 kg	5 steering castors, 50 mm dia., 3 electrically conductive	460 x 440/660 mm	344 356



Model	Weight	Castors	Dimensions (W x D x H)	Item no.
3 Swivel stool with flat upholstered seat (35 mm high) Stationary model with electrically conductive-rubber feet.	9 kg	no castors	460 x 435/635 mm	344 357
4 Swivel stool with flat upholstered seat (35 mm high)	9 kg	5 steering castors, 50 mm dia., 3 electrically conductive	460 x 475/695 mm	344 358
5 Swivel stool with high upholstered seat (65 mm high) Stationary model with electrically conductive-rubber feet.	9 kg	no castors	460 x 465/685 mm	344 359
6 Swivel stool with high upholstered seat (65 mm high)	9 kg	5 steering castors, 50 mm dia., 3 electrically conductive	460 x 505/725 mm	344 360

Essential assistants

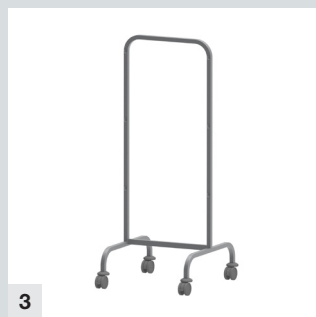
Our units for the operating theatre and outpatient department provide complete solutions in a modular design, which means that you can put your trolley together according to your requirements. In this way you achieve an effective system where everything is where it belongs.

We exclusively use stainless steel for all the products for the medical field. It is the most hygienic material and can even be sterilised. In addition, stainless steel continues to shine, even after years of care with cleansers and disinfectants.



PRO & CLEANassist

Mobile Assistants



Model	Design	Dimensions (W x D x H)	Item no.
1 Wall-mounted hook rail with 2 hooks	Made of stainless steel 30 x 20 mm rectangular tubing, with 2 plastic covers	Length: 700 mm	542 210
	Welded hooks, distance between hooks 350 mm, Hook capacity 60 kg per hook	1050 mm	542 211
	Holds StU baskets or similar items	1400 mm	542 212
		1750 mm	542 213
		1600 mm	542 214
2 Hook trolley One side (3 pairs of hooks)	Mobile jointless square tube frame construction, 25 x 25 mm, made of stainless steel, with hooks which have a maximum capacity of three 1 STE baskets or comparable articles. Hook loading capacity 60 kg per hook; abrasion-resistant, non-discolouring, corrosion-resistant synthetic antistatic double castors (4 steering castors, Ø 75 mm, 2 of which have brakes, with wall guards).	600 x 460 x 1438 mm	542 208
3 Both sides (6 pairs of hooks)		600 x 670 x 1438 mm	542 209
4 Splash guard for hook trolley	Hook trolleys are available with closed back wall called 'splash guard', in order to protect the objects from different splashes and from other contaminants. Remark: The splash guard can be ordered separately as additional part for an existent hook trolley. The article does not contain the trolley itself.	550 x 49 x 822 mm	542 207



Model	Design	Material	Dimensions (W x D x H)	Item no.
5 Multi-purpose storage	Seamless construction, holds folded paper	Stainless steel	610 x 326 x 260 mm	542 222
6 Shoe rack	Seamless construction, 12 suspension stirrups for max. 6 pairs of shoes, closed wire loops, wire thickness: 6 mm	Stainless steel, electrolytically polished	600 x 263 x 180 mm	542 223
7 Tubing and abdominal cloth rack	Stainless steel, seamless construction, 11 welded hooks for anaesthesia tubing and/or abdominal cloths, offset	Stainless steel	585 x 94 x 180 mm	542 224
8 Multipurpose equipment rack	E.g. for anaesthesia equipment, operating theatre accessories; seamless construction, solid sliding rail 25 x 10 mm	Stainless steel	600 x 48 x 180 mm	542 225

PRO & CLEANassist

Mobile Assistants



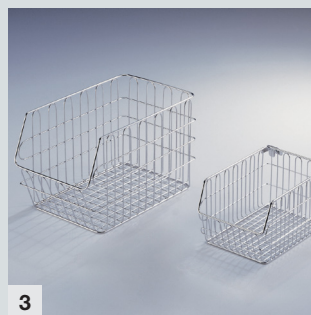
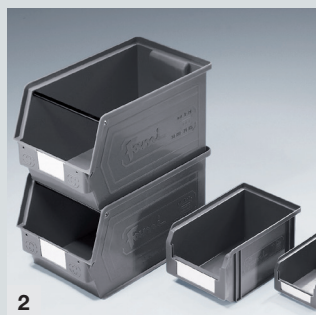
Model	Design	Material	Dimensions (W x D x H)	Item no.
1 Stainless steel housing for Plexiglas chutes	With 3 acrylic chutes in a stainless steel housing, stackable	Stainless steel	601 x 172 x 245 mm	542 226
	With 5 acrylic chutes in a stainless steel housing, stackable		601 x 172 x 171 mm	542 227
2 Stainless steel specialty container (without lid)	Seamless, deep-drawn For MED wire mesh basket	Stainless steel	530 x 325 x 100 mm	1 550 590
			530 x 325 x 200 mm	1 550 592
	Holder for container above	Seamless construction, holds specialty containers, with storage loop for lid	Stainless steel	550 x 325 x 320 mm
Lid	For stainless steel specialty container	530 x 325 mm		550 658
3 Syringe and cannula storage	Seamless construction, shelf, equipment: with 4 Plexiglas dividers per shelf, adjustable	Stainless steel	580 x 350 x 275 mm	542 229
4 Suture material storage	With 4 shelves, holds max. 20 standard small-pack units	Stainless steel	600 x 173 x 290 mm	542 230



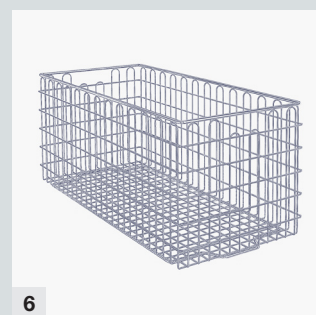
Model	Design	Material	Dimensions (W x D x H)	Item no.
5 Glove dispenser	For max. 3 sizes of gloves, 50 pairs each	Stainless steel	580 x 320 x 260 mm	542 231
6 Writing desk	Writing surface for nursing staff With front bevel and middle shelf	Stainless steel	580 x 396 x 244 mm	542 232
7 Shelf for urinal bottles	Seamless construction Holds 5 urinal bottles	Stainless steel	580 x 276 x 230 mm	542 233
	Storage for 5 bedpans with lid		Holds 5 bedpans and 5 lids	675 x 420 x 230 mm
8 Storage shelf with console	Seamless construction	Stainless steel	695 x 350 x 205 mm	542 235
	With welded console		695 x 450 x 240 mm	542 236
	Load limit, even distribution: 50 kg		695 x 600 x 275 mm	542 237

PRO & CLEANassist

Mobile Assistants



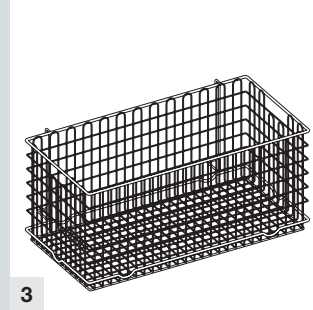
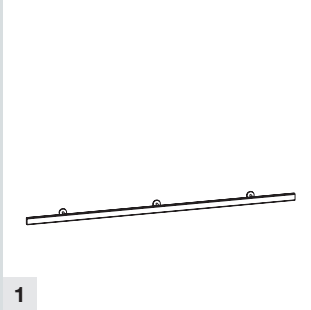
Universal holder Made of stainless steel, clean, jointless finish, for synthetic and wire containers.						
Model	Description		Material	Dimensions (W x D x H)	Item no.	
1	Universal plastic and wire container holder - only the rail (without the plastic container)	For max. 3 containers size 3	Stainless steel	550 x 37 x 247 mm	542 219	
		For max. 4 containers size 4		550 x 37 x 170 mm	542 220	
		For max. 5 containers size 5		550 x 37 x 124 mm	542 221	
Plastic containers Made of polypropylene. Stackable, can be suspended in holders for containers. Holds various goods.						
2	Plastic containers for use with universal holder, stackable	Size 3	Blue	Polypropylene	350/300 x 200 x 200 mm	5-522-0086
			Green			5-522-0085
		Size 4	Blue		230/200 x 140 x 130 mm	5-522-0084
			Green			5-522-0083
		Size 5	Blue		160/140 x 95 x 75 mm	5-522-0082
			Green			5-522-0081
3	Wire mesh containers	Size 3	Closed wire loops welded underneath the centre of the top frame, bottom frame designed as stacking frame	Stainless steel, electrolytically polished	215 x 350 x 200 mm	542 244
		Size 4			153 x 231 x 125 mm	542 245



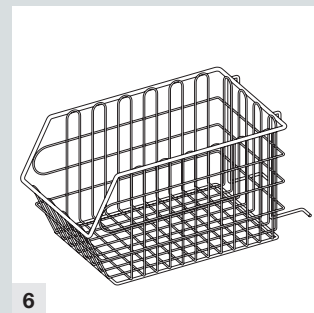
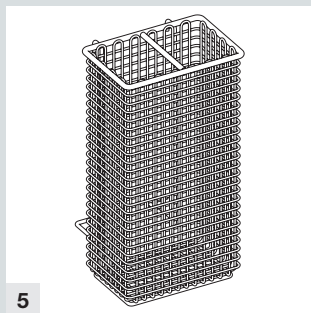
Model	Type	Description	Weight	Dimensions (W x D x H)	Item no.
4 Sterile equipment baskets					
5	1/2 STU	Stainless steel, electrolytically polished, smooth finish, closed wire loops (2.5 mm), central weld underneath top frame (6 mm), lower frame (5 mm) designed for stacking (3 mm).	1,82 kg	575 x 280 x 135 mm	542 215
6	1 STU		2,4 kg	575 x 280 x 265 mm	542 216
7	2 STU		3,57 kg	575 x 560 x 265 mm	542 218
8	1 STU	Mesh width: Wall 22 x 40 mm, Floor 22 x 22 mm; can be used with wall-mounted hook rail and hook trolley; capacity: 20 kg.	2,35 kg	575 x 280 x 265 mm	542 217

PRO & CLEANassist

Mobile Assistants



	Model	Type	Design	Material	Dimensions (W x D x H)	Item no.
1	Equipment rail		With integrated wall-mount bars	Stainless steel Profile tubing	25 x 10 mm	542 525
2	Sterile equipment basket with handle opening, for use with the equipment rail	1/2 STU	Mesh width: Floor: 22 x 22 mm Walls: 22 x 40 mm Capacity: 20 kg	Stainless steel, electrolytically polished, seamless construction	575 x 280 x 135 mm	1 542 508
3		1 STU			575 x 280 x 265 mm	1 542 509
4	Sterile equipment basket with handle opening and hand grip opening on the long side, for use with equipment rail	1 STU	Floor frame designed as a stacking frame; TÜV tested		575 x 280 x 265 mm	1 542 510



	Model	Size	Design	Material	Dimensions (W x D x H)	Item no.
5	Catheter basket, for use with the equipment rail		With 2 hooks	Stainless steel, electrolytically polished	150 x 100 x 200 mm	542 489
					150 x 100 x 280 mm	542 490
					150 x 100 x 480 mm	542 491
			With 3 hooks		167 x 184 x 550 mm	542 909
					167 x 184 x 800 mm	542 910
					167 x 184 x 1000 mm	542 912
6	Wire mesh containers, for use with the equipment rail	Size 3	Closed wire loops welded underneath the centre of the top frame, bottom frame designed as stacking frame	Stainless steel, electrolytically polished	210 x 350 x 200 mm	542 506
		Size 4			150 x 230 x 125 mm	542 507

PRO & CLEANassist

Mobile Assistants



1



2

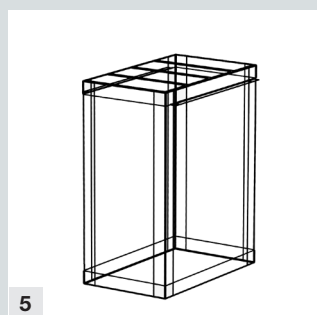


3

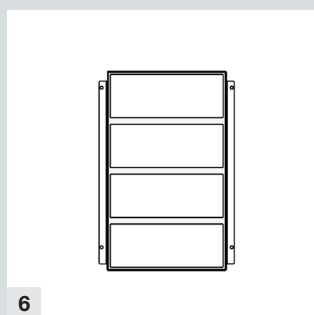


4

	Model	Design	Characteristics	Material	Dimensions (W x D x H)	Item no.
1	Wire mesh basket with folding handles	Size 1, wire mesh basket, deep-drawn	Closed base frame with cross spars for increased strength, 2 inner folding handles mounted on the short sides, mesh width: 4 x 4 mm.	Stainless steel, electrolytically polished	240 x 250 x 50 mm	542 247
		Size 2, wire mesh basket, deep-drawn			480 x 250 x 50 mm	542 248
2	Dirt sieve with carry handle	Stackable, fits polypropylene container, seamless construction	Closed base frame, lengthwise spar across the top frame serves as a carrying handle, 4 U-shaped feet welded to the base frame, stackable	Stainless steel, electrolytically polished	245 x 175 x 90 mm	542 249
3	Polypropylene container	Holds used instruments or a dirt sieve, can be sterilized at up to 134 °C	With solid lid	Polypropylene	300 x 225 x 125 mm	542 250
4			With slotted lid		300 x 225 x 125 mm	542 251



5



6

	Model	Design	Characteristics	Material	Dimensions (W x D x H)	Item no.
5	Catheter magazine	For ISO standard	For use with telescope rails, for upright storage of various package sizes With flexible dividers consisting of: 1 x lengthwise divider, 2 x crosswise divider, 6 x brackets	Stainless steel	400 x 600 x 600 mm	542 913
6	Catheter support frame	For ISO standard	Holds max. 6 catheter baskets of various lengths	Stainless steel	600 x 400 x 300 mm	542 914
		For DIN standard	Can be used lengthwise and crosswise		538 x 500 x 300 mm	542 915

PRO & CLEANassist

Sterile Equipment System for Soft Packaging

For optimal sterile equipment packaging, we offer the sterile equipment system for soft packaging. It consists of a system sieve and system basket. For sterilization, the system sieve is packed in a 78 g/m² fleece in order to guarantee sterility of the equipment. The uniform system sieves can be stacked inside each other, the system baskets on top of each other.

The systematic use of sterile equipment systems with soft packaging makes a significant cost reduction possible when compared to the use of conventional sterile equipment containers. The investment cost is up to 35 % lower, and the ongoing operating costs are up to 30 % lower. A separate disposal sieve and sterile equipment container are not required.



Details of the innovation:

- The functional design of the system sieves with rounded corners and a double frame reduces the risk for employee injuries.
- After opening, the system sieve lid automatically becomes the disposal sieve.
- The system basket has a circumferential stacking frame to hold the system sieves.
- Small parts sieves and variable dividers for the system sieves – lengthwise and crosswise – are available.
- Steam can penetrate the system sieve and basket.
- Compared to a sterile equipment container system, weight is reduced.
- The lack of corners and edges makes cleaning easier.
- Uniform system material permits standard washing programs.

	Model	Description	Dimensions (W x D x H)	Design	Item no.
Stainless steel, electrolytically polished, seamless construction					
1	System sieve SL in StU standard for soft packaging	With stackable floor frame and double frame for secure handling; mesh width: 5 x 5 mm Wire thickness: Stacking Frame: 4 mm Safety frame: 4 mm Floor frame: 4 mm	250 x 480 x 50 mm	SL 50	542 895
			250 x 480 x 70 mm	SL 70	542 896
			250 x 240 x 50 mm	SL 50	542 897
			250 x 240 x 70 mm	SL 70	542 939
	Brackets for system sieve SL	To hold the system sieve SL	90 mm for SL 50		542 899
			100 mm for SL 50/70		542 900
			110 mm for SL 70		542 901
2	System basket in StU standard	For storage of system sieves, can be stacked inside and on top of each other Mesh width: Floor: 24 x 24 mm Walls: 24 x 27 mm Wire thickness: Frame: 2 x 4 mm Floor: 2.4 mm Wire thickness Stacking frame: Floor: 5 mm	295 x 580 x 150 mm	With handle opening	542 902
				With handle opening and transportation clamp	542 903
			295 x 300 x 150 mm	With handle opening	542 904
				With handle opening and transportation clamp	542 905
	System basket in ISO standard		400 x 600 x 150 mm	With handle opening	542 906

PRO & CLEANassist

Use in the OT and Ambulances



The first step in the sterile supply and disposal cycle is the use of sterile equipment in the operating theatre, in ambulances, or on the ward. MED-Systeme Ltd. offers a comprehensive selection of accessories for these areas. Designed to meet the StU standards, accessories such as suture material trays, glove dispensers, and writing desks are available. They are supplemented by mobile assistants such as sterile equipment supply tables, disposal tables, and hook trolleys. The mobile assistants can be moved to the required location quickly – an essential feature in many situations.

Robust and hygienic:

Of course we only use high-quality stainless steel that easily withstands daily peak loads to make our products. Smooth surfaces and seamless construction ensure optimum protection against viruses and bacteria.

Manoeuvrable:

The double plastic castors ensure optimum manoeuvrability.

Safe:

Chassis are designed so that maximum tip resistance is guaranteed even if a sterile supply table is only loaded on one side.



PRO & CLEANassist

Mobile Assistants



Mobile StU supply tables			
Seamless 25 x 25 mm stainless steel square tubular construction, tabletop to support StU standard containers, microlized, 30 mm bevel on all sides, inner edge bevelled downwards 45° 2 pairs of suspended slide-in rails underneath the tabletop: 1 pair of hook-in angled support brackets to hold a container lid 1 pair of hook-in angled support brackets to hold a 1 StU container 4 double antistatic plastic castors (4 castors Ø 75 mm, 2 of them lockable)			
Model	Design	Dimensions (W x D x H)	Item no.
1 1 x 1 StU	Tabletop to hold 1 container, 1 StU	400 x 660 x 900 mm	542 415
2 2 x 1 StU	Tabletop to hold 2 containers, 1 StU; solid foot stand made of bend square-type tube over the entire width of the tabletop for maximum tip resistance	655 x 655 x 900 mm	542 416
3 StU disposal table 1 StU	Tabletop set into the tubular steel frame, easy to remove	400 x 660 x 900 mm	542 417



Container transport trolley				
Mobile, seamless 25 x 25 mm stainless steel square tubular frame construction				
Model	Design	Castors	Dimensions (W x D x H)	Item no.
4 Container transport trolley Loading height: 300 mm	For easy transportation of one 2 StU basket or two 1 StU baskets, with moulded push bar, height of loading surface from the floor (loading height:) 300 mm	4 swivel castors Ø 125 mm, 2 of them lockable, with double ball bearings, conductive, non-sag construction and wall deflectors	675 x 830 x 900 mm	542 252
5 Container transport trolley, elevated version Loading height: 550 mm	For easy transportation of one 2 StU basket or two 1 StU baskets, with moulded push bar, height of loading surface from the floor (loading height:) 550 mm	4 swivel castors Ø 125 mm, 2 of them lockable, with double ball bearings, conductive, non-sag construction and wall deflectors	675 x 815 x 1150 mm	542 252-SO1
6 Paper stand	For sterile equipment packing paper, holds paper sheets up to 1200 mm, 4 paper bars, open on the side, with welded grating, stainless steel square-type tube	plastic antistatic double castors, 4 swivel castors, Ø 75 mm, 2 of them lockable, with wall deflectors	1345 x 545 x 900 mm	542 413
fits underneath packing table (more packing table equipment from page 39.)			1345 x 545 x 700 mm	542 414
7 Gascylinder transportation trolley	Small, mobile gas cylinder transport trolley made of stainless steel material. Adjustable (dia., height) holders for different cylinder sizes. Easy handling. (Gascylinder is not included.)	Available with MRI compatible castors.	396 x 614 x 1122 mm	542 176

PRO & CLEANassist

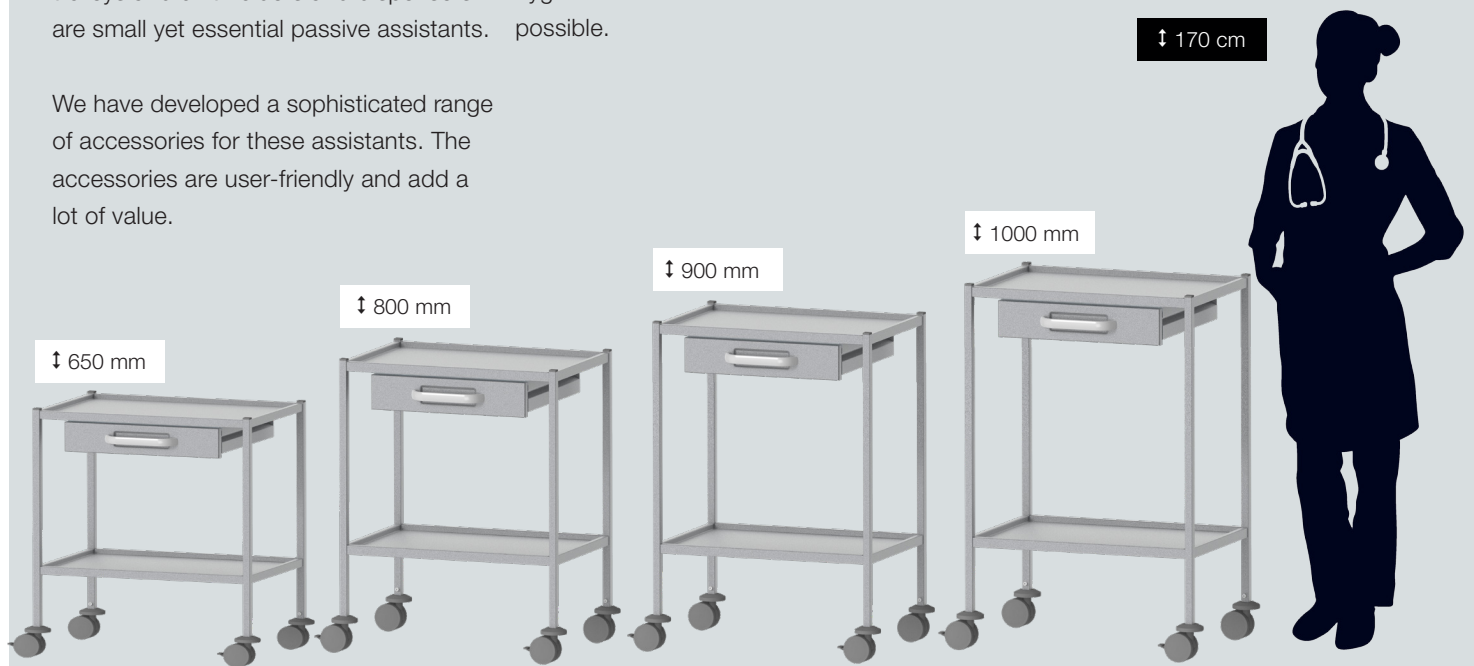
Mobile storage – everything is within reach!

These instrument trolleys are anywhere you need them. The side tables, rolling trolleys and unit holders and dispensers are small yet essential passive assistants.

All MED-Systeme products are meticulously finished and made of hygienic stainless steel whenever possible.

Scale of the trolleys for three heights.

We have developed a sophisticated range of accessories for these assistants. The accessories are user-friendly and add a lot of value.



PRO & CLEANassist

Instrument trolleys



Instrument trolley

Mobile, jointless square tube frame construction, 20 x 20 mm, made of stainless steel. Tube frame designed as a protective railing, top and bottom with removable stainless steel table tops.

Load capacity: 50 kg

Abrasion-resistant, non-discolouring, corrosion-resistant synthetic antistatic double castors (4 steering castors, Ø 75 mm, 2 of which have brakes with wall guard)

	Width	Model by height	Tray useful dimensions	Weight	Dimensions (W x D x H)	Item no.
1	675 mm	650 mm (H)	Tray internal dimensions (useful): 585 x 385 x 15 mm (W x H x D)	9 kg	675 x 475 x 650 mm	542 281
2		800 mm (H)		10 kg	675 x 475 x 800 mm	542 265
		900 mm (H)		10 kg	675 x 475 x 900 mm	543 579
		1000 mm (H)		11 kg	675 x 475 x 1000 mm	543 580
	770 mm	650 mm (H)	Tray internal dimensions (useful): 680 x 585 x 15 mm (W x H x D)	12 kg	770 x 675 x 650 mm	542 282
		800 mm (H)		14 kg	770 x 675 x 800 mm	542 266
		900 mm (H)		14 kg	770 x 675 x 900 mm	543 581
		1000 mm (H)		14 kg	770 x 675 x 1000 mm	543 582
	990 mm	800 mm (H)	Tray internal dimensions (useful): 900 x 585 x 15 mm (W x H x D)	16 kg	990 x 675 x 800 mm	542 267
		900 mm (H)		17 kg	990 x 675 x 900 mm	543 583
		1000 mm (H)		17 kg	990 x 675 x 1000 mm	543 584

Trolleys with galvanised castors are also available.



PRO & CLEANassist Instrument trolleys



Instrument trolley with drawer

Tube frame as protective railing, 2 removable plates,
 Drawer front size dimensions: 445 x 95 mm
 outer dimension of drawer: 445 x 450 x 102 mm (W x H x D), useful dim.: 403 x 374 x 58 mm
 Or where the size of the trolley allows, there is a longer drawer:
 outer dimension of drawer: 445 x 650 x 102 mm (W x H x D), useful dim.: 403 x 574 x 58 mm
 Load capacity: 50 kg
 4 steering castors, Ø 75 mm with wall guard, 2 with brakes

	Width	Model by height	Tray useful dimensions	Weight	Dimensions (W x D x H)	Item no.
1	675 mm	650 mm (H)	Tray internal dimensions (useful): 585 x 385 x 15 mm (W x D x H)	13 kg	675 x 475 x 650 mm	542 283
2		800 mm (H)		15 kg	675 x 475 x 800 mm	542 268
		900 mm (H)		15 kg	675 x 475 x 900 mm	543 585
		1000 mm (H)		15 kg	675 x 475 x 1000 mm	543 586
	770 mm	650 mm (H)	Tray internal dimensions (useful): 680 x 585 x 15 mm (W x D x H)	14 kg	770 x 675 x 650 mm	542 284
		800 mm (H)		20 kg	770 x 675 x 800 mm	542 269
		900 mm (H)		20 kg	770 x 675 x 900 mm	543 587
		1000 mm (H)		20 kg	770 x 675 x 1000 mm	543 588
	990 mm	800 mm (H)	Tray internal dimensions (useful): 900 x 585 x 15 mm (W x D x H)	22 kg	990 x 675 x 800 mm	542 270
		900 mm (H)		23 kg	990 x 675 x 900 mm	543 589
		1000 mm (H)		23 kg	990 x 675 x 1000 mm	543 590

Trolleys with galvanised castors are also available.

PRO & CLEANassist

Instrument trolleys



Instrument trolley with 3-sided stainless steel railing

Tube frame as protective railing,
2 removable plates
max. load 50 kg
4 steering castors, 75 mm dia., with wall guard, 2 with brakes

	Width	Model by Height	Tray useful dimensions	Weight	Dimensions (W x D x H)	Item no.
1	675 mm	650 mm (H)	Tray internal dimensions (useful): 578 x 381 x 15 mm (W x D x H)	11 kg	675 x 475 x 650 mm	542 287
2		800 mm (H)		13 kg	675 x 475 x 800 mm	542 271
		900 mm (H)		13 kg	675 x 475 x 900 mm	543 591
		1000 mm (H)		13 kg	675 x 475 x 1000 mm	543 592
	770 mm	650 mm (H)	Tray internal dimensions (useful): 673 x 581 x 15 mm (W x D x H)	16 kg	770 x 675 x 650 mm	542 288
		800 mm (H)		14 kg	770 x 675 x 800 mm	542 272
		900 mm (H)		14 kg	770 x 675 x 900 mm	543 593
		1000 mm (H)		14 kg	770 x 675 x 1000 mm	543 594
	990 mm	800 mm (H)	Tray internal dimensions (useful): 893 x 581 x 15 mm (W x D x H)	20 kg	990 x 675 x 800 mm	542 273
		900 mm (H)		21 kg	990 x 675 x 900 mm	543 595
		1000 mm (H)		21 kg	990 x 675 x 1000 mm	543 596

Trolleys with galvanised castors are also available.



PRO & CLEANassist

Instrument trolleys



Instrument trolley with drawer and 3-sided stainless steel railing

Tube frame as protective railing, 2 removable plates,
 Drawer front size dimensions (if applicable): 445 x 95 mm
 outer dimension of drawer: 445 x 450 x 102 mm (W x H x D), useful dim.: 403 x 374 x 58 mm
 Or where the size of the trolley allows, there is a longer drawer:
 outer dimension of drawer: 445 x 650 x 102 mm (W x H x D), useful dim.: 403 x 574 x 58 mm
 max. load 50 kg
 4 steering castors, 75 mm dia., with wall guard, 2 with brakes

	Width	Model by height	Tray useful dimensions	Weight	Dimensions (W x D x H)	Item no.
1	675 mm	650 mm (H)	Tray internal dimensions (useful): 578 x 381 x 15 mm (W x D x H)	17 kg	675 x 475 x 650 mm	542 285
2		800 mm (H)		18 kg	675 x 475 x 800 mm	542 274
		900 mm (H)		18 kg	675 x 475 x 900 mm	543 597
		1000 mm (H)		18 kg	675 x 475 x 1000 mm	543 598
	770 mm	650 mm (H)	Tray internal dimensions (useful): 673 x 581 x 15 mm (W x D x H)	20 kg	770 x 675 x 650 mm	542 286
		800 mm (H)		25 kg	770 x 675 x 800 mm	542 275
		900 mm (H)		25 kg	770 x 675 x 900 mm	543 599
		1000 mm (H)		25 kg	770 x 675 x 1000 mm	543 600
	990 mm	800 mm (H)	Tray internal dimensions (useful): 893 x 581 x 15 mm (W x D x H)	27 kg	990 x 675 x 800 mm	542 276
		900 mm (H)		27 kg	990 x 675 x 900 mm	543 601
		1000 mm (H)		27 kg	990 x 675 x 1000 mm	543 602



Instrument trolley with flush frame plate

At top: removable plate with smooth surface
 bottom: tube frame as protective railing, plate removable
 max. load 50 kg
 4 steering castors, 75 mm dia., with wall guard, 2 with brakes

	Width	Model by height	Tray dimensions	Weight	Dimensions (W x D x H)	Item no.
3	689 mm	800 mm (H)	Tray dimensions: 639 x 439 mm (W x D)	10 kg	689 x 489 x 800 mm	542 278
		900 mm (H)		10 kg	689 x 489 x 900 mm	543 603
		1000 mm (H)		11 kg	689 x 489 x 1000 mm	543 604
	784 mm	800 mm (H)	Tray dimensions: 734 x 639 mm (W x D)	15 kg	784 x 689 x 800 mm	542 279
		900 mm (H)		15 kg	784 x 689 x 900 mm	543 605
		1000 mm (H)		15 kg	784 x 689 x 1000 mm	543 606
	1004 mm	800 mm (H)	Tray dimensions: 954 x 639 mm (W x D)	18 kg	1004 x 689 x 800 mm	542 280
		900 mm (H)		18 kg	1004 x 689 x 900 mm	543 607
		1000 mm (H)		18 kg	1004 x 689 x 1000 mm	543 608

PRO & CLEANassist

Maneuverable in the OT and outpatient department



Transport and multi-purpose units must meet the highest standards when it comes to hygiene, economy, durability and ease of care. Therefore, all MED brand units are made of stainless steel. This is due to the fact that stainless steel is even resistant to the most aggressive disinfectants, meaning that thorough cleaning is not an issue.

Does not apply to the use of concentrated chloric acid (HClO_3).

The jointless welding prevents residual dirt and germs from accumulating. All of the units have electrically-conductive special castors and are thus suitable for use anywhere.

Their design is just as convincing. Because of the neutral colour of stainless steel, the MED transport and multi-purpose units match any furniture.



PRO & CLEANassist

Transport and multi-purpose trolleys



All-purpose trolley			
<p>The trolleys are suitable for universal use and particularly for transporting consumer goods up to 20 kg. With practical push handle.</p> <p>Tube frame as a protective railing, top and bottom with removable stainless steel table tops. All trolleys are equipped with rugged wall guards. Four steering castors with tapered ball bearing, dia. 125 mm, 2 of which have brakes, electrically conductive, with thread guard.</p>			
Model	Description	Dimensions (W x D x H)	Item no.
1 With 2 levels	Tube frame as protective railing, 2 removable plates, max. load 20 kg 4 steering castors, 125 mm dia., with thread guard, wall guard, 2 electrically conductive, with brakes	833 x 705 x 800 mm	542 291
2 With 2 levels	Tube frame as protective railing, 2 removable plates, max. load 20 kg 4 steering castors, 125 mm dia., with thread guard, wall guard, 2 electrically conductive, with brakes	1053 x 705 x 800 mm	542 292
3 With 3 levels	Tube frame as protective railing, 3 removable plates, max. load 20 kg 4 steering castors, 125 mm dia., with thread guard, wall guard, 2 electrically conductive, with brakes	1053 x 705 x 1020 mm	542 293

Trolleys with galvanised castors are also available.

For any special request (handles, number of the trays, fixed tray, custom size, etc.), please consult your local authorized Partner.

Transport and multi-purpose trolleys



MSW	SW
reinforced plate with C profil	noise dampening plate

Transport trolley						
Mobile stainless-steel transport trolley is the even more rugged answer to the all-purpose trolley.						
Frame: sturdy, jointless round tube, 25 mm dia., made of stainless steel, fixed and welded shelves without joints and with an all round 10 mm raised profile edge, reinforced with 2 profiles on the underside.						
All trolleys are equipped with rugged wall guards. Castors: Four steering castors with tapered ball bearing, dia. 125 mm, 2 of which have brakes, with thread guard. Max. loading capacity: 80 kg per shelf, 120 kg total.						
The tray size cannot be changed. If a variable size is required, see the instrument or all-purpose trolleys.						
Model	Description	Weight	Dimensions (W x D x H)	MSW Item no. galvanised steel castor (2 of them electrically conductive)	SW Item no. galvanised steel castor	SW Item no. synthetic castor
1 Transport trolley 8 x 5-2 Number of shelves: 2 800 x 500 mm	2 fixed shelves, 800 x 500 mm, with profile edge, 4 steering castors, 125 mm dia., with thread guard, wall guard, with brakes Clearance distance between shelves: 585 mm	17 kg	900 x 600 x 950 mm	531 077	555 527	569 769
2 Transport trolley 8 x 5-3 Number of shelves: 3 800 x 500 mm	3 fixed shelves, 800 x 500 mm, with profile edge, 4 steering castors, 125 mm dia., with thread guard, wall guard, with brakes Clearance distance between shelves: 275 mm	20 kg	900 x 600 x 950 mm	531 078	555 528	569 770
3 Transport trolley 9 x 6-2 Number of shelves: 2 900 x 550 mm	2 fixed shelves, 900 x 550 mm, with profile edge, 4 steering castors, 125 mm dia., with thread guard, wall guard, with brakes Clearance distance between shelves: 585 mm	18 kg	1000 x 650 x 950 mm	531 081	555 531	569 773
Transport trolley 9 x 6-3 Number of shelves: 3 900 x 550 mm	3 fixed shelves, 900 x 550 mm, with profile edge, 4 steering castors, 125 mm dia., with thread guard, wall guard, with brakes Clearance distance between shelves: 275 mm	22 kg	1000 x 650 x 950 mm	531 082	555 532	569 774
Transport trolley 10 x 6-2 with steering castors Number of shelves: 2 1000x600 mm	2 fixed shelves, 1000 x 600 mm, with profile edge, 4 steering castors, 125 mm dia., with thread guard, wall guard, with brakes	25 kg	1100 x 700 x 1010 mm	531 086	573 487	573 486
Transport trolley 10 x 6-3 with steering castors Number of shelves: 3 1000x600 mm	3 fixed shelves, 1000 x 600 mm, with profile edge, 4 steering castors, 125 mm dia., with thread guard, wall guard, with brakes	31 kg	1100 x 700 x 1000 mm	531 088	573 489	573 488

MSW trollies are also available with stainless steel castors, please consult your local authorized Partner.

Castors	MSW	SW	SW
	galvanised steel castor	galvanised steel castor	synthetic castor

PRO & CLEANassist

Instrument trolleys, accessories



	Model	Description	Dimensions (W x D x H)	Item no.
1	Syringe and cannula dispenser	With 3 Plexiglas chutes as syringe dispensers and 5 Plexiglas chutes as cannula dispensers; with bracket (First In-First Out system).	600 x 200 x 410 mm (without bracket)	542 290
2	Instrument disposal tray	Made of polypropylene, with slotted lid, can be sterilised, with swivel holder and fixing clamp.	300 x 230 x 130 mm	542 040
3	Disposal box set	Disposal box yellow with green lid, firmly closable 1.5 l capacity Consisting of 10 boxes with 1 holder	Box: height 145 mm, lid (W x D) 179 mm x 176 mm, Ø base 140 mm	542 839
		Reserve disposal box set: consist of 100 boxes (without holder)		530 048
4	Quiver	Divided into three parts for suction catheters, can be suspended.	160 x 92 x 563 mm	530 049



	Model	Description	Dimensions (W x D x H)	Item no.
5	Power strip	Divided into six parts, with indicator light, connection cable 2.2 m, stainless steel mounting rail. German standard (other standards on request!)	390 x 50 x 45 mm	530 050
6	Push handle	Ergonomic stainless steel handle, available for all trolley sizes.	depends on the size of the trolley	287 691

CLEANassist Cleaning Solutions



After use, thorough cleaning and disinfection are the next steps in the sterile supply and disposal cycle. The cleaning area in the central sterilization department is polluted by contaminated equipment. Due to first-class construction and high-quality stainless steel, viruses and bacteria find an unfavourable environment.

Hygienic:

The underside of the stainless steel work surface on the MED cleaning tables has a seamless cladding so that moisture is unable to penetrate. The smooth surface is easy to clean. Optional: A raised profile edge that keeps liquids on the tabletop. This prevents contaminated water from spilling onto the floor. The soft rounding of the profile edge prevents a seam where dirt can collect.



Safe:

Personnel in the unclean area of the central sterile equipment supply department are exposed to a greater risk of infections. With the splash guard in the sink area, MED provides reliable protection against infectious sprayed water.



User-friendly:

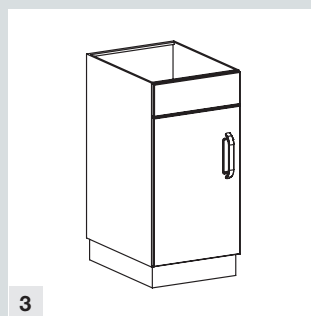
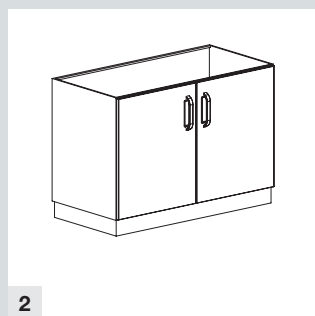
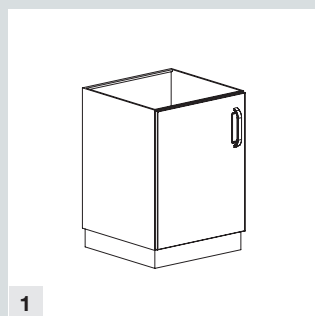
A fully extendable tray to store containers of cleaners and disinfectants makes handling easier.

Ergonomic:

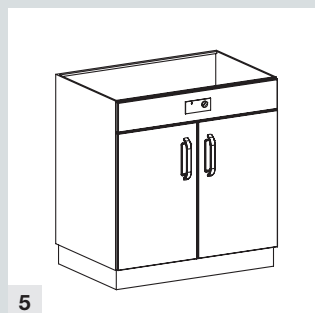
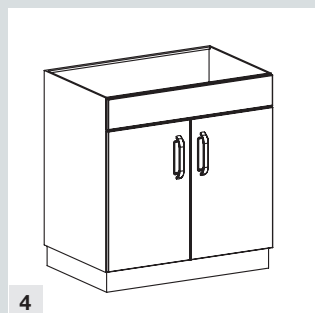
Folding doors and drawers are equipped as required.

CLEANassist

Cleaning Table Equipment – Base Cabinets



	Model	Dimensions	Folding doors / handles	Shelves / sink screen	Material	Item no.
Base cabinets						
1	With folding door Type MFB1	From 450 to 600 mm wide, from 700 to 850 mm high, 580 mm deep	1 folding door (hinged right or left), 1 handle		Stainless steel	547 641 01
2	With 2 folding doors Type MFB2	From 900 to 1200 mm wide, from 700 to 850 mm high, 580 mm deep	2 folding doors 2 handles		Stainless steel	547 642 01
3	With folding door and guard type MFBB1	From 450 to 600 mm wide, 850 mm high, 580 mm deep	1 folding door (hinged right or left) 1 handle	1 sink screen 150 mm high, colour matches front	Stainless steel	547 643 01



	Model	Dimensions	Folding doors / handles	Shelves / sink screen	Material	Item no.
Base cabinets						
4	With 2 folding doors Type MFBB2	From 900 to 1200 mm wide, 850 mm high, 580 mm deep	2 folding doors 2 handles	1 sink screen, 150 mm high, colour matches front	Stainless steel	547 644 01
5	With ultrasound cleaning device	With ultrasound cleaning device type Sonorex ZE 1058: HF generator GT1000M, max. output 2 x 1200 W / period, frequency 35 KHz, control unit with timer 1 – 15 minutes and continuous operation, 16 oscillating elements including oscillating tray TE1058 made of Stainless steel, drain on the left or right, 600 x 400 x 200 mm, fits DIN-StU or ISO standard strainer baskets, includes drain parts, basket holder, basket insert, and lid More ultrasound cleaning devices upon request.				
		900 mm wide 850 mm high 580 mm deep	2 folding doors 2 handles	1 switch panel 150 mm high in stainless steel	Stainless steel	547 663 01

CLEANassist Packing station



In the packing department, precisely verifying the condition and functionality of the equipment is essential since this is a fundamental prerequisite for a successful operation. Workstations that have the best possible equipment to permit efficient visual and functional inspections of technologically complex medical products are required. MED packing tables meet all functional requirements.

Ergonomic: With height-adjustable tables, the correct working height while sitting or standing can be set at the touch of a button. The height adjustment fully meets workplace safety requirements.

Variable: Tabletops are available in various materials.

Flexible: The rack attachment can be equipped with various StU components.

Modern: We offer sensible options to accommodate your monitor, keyboard, and PC.

Bright: The packing table lighting provides optimal illumination.

Safe: Meets the requirements of the machinery guidelines.

User friendly: Additional storage room is provided, e.g. by base cabinets mounted below the tabletop.



CLEANassist

Packing station



Model	Design	Material	Dimensions (W x D x H)	Item no.
Packing table with electric height adjustment (stroke: 500 mm (720 mm - 1220 mm)) incl. table top of stainless steel				
With Media column Rack attachment, packing table lighting, and stainless steel tabletop With smooth tabletop, tabletop surface 240 grain polished, 40 mm bevel on all sides Optional: rear wall for stabilization, protection and division				CE
1	With 2 feet with levelable synthetic foot cleats	Stainless steel	1800 x 800 x 890 mm	542 46301
			2100 x 800 x 890 mm	542 46302
	With 3 feet with levelable synthetic foot cleats		2400 x 800 x 890 mm	542 46303
Surcharge for Corian or Resopal tabletop				



For custom sizes,
please contact your
local Partner!

CLEANassist

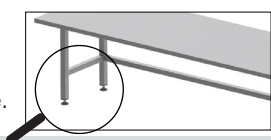
Modular tables



Packing table model PT		
Design	Material	Height
Base frame made of 40 x 40 mm square type tube Without tabletop, from 600–2100 mm with 4 legs, > 2100 mm with 6 legs, see overview on page 39 With plastic feet that can be levelled and additional cross member	Stainless steel	850 mm

Width	Depth 600 mm Item no.	Depth 700 mm Item no.	Depth 800 mm Item no.
Legs: 4			
600 mm	542 459 01	542 459 34	542 459 67
700 mm	542 459 02	542 459 35	542 459 68
800 mm	542 459 03	542 459 36	542 459 69
900 mm	542 459 04	542 459 37	542 459 70
1000 mm	542 459 05	542 459 38	542 459 71
1100 mm	542 459 06	542 459 39	542 459 72
1200 mm	542 459 07	542 459 40	542 459 73
1300 mm	542 459 08	542 459 41	542 459 74
1400 mm	542 459 09	542 459 42	542 459 75
1500 mm	542 459 10	542 459 43	542 459 76
1600 mm	542 459 11	542 459 44	542 459 77
1700 mm	542 459 12	542 459 45	542 459 78
1800 mm	542 459 13	542 459 46	542 459 79
1900 mm	542 459 14	542 459 47	542 459 80
2000 mm	542 459 15	542 459 48	542 459 81
2100 mm	542 459 16	542 459 49	542 459 82
Legs: 6			
2200 mm	542 459 17	542 459 50	542 459 83
2300 mm	542 459 18	542 459 51	542 459 84
2400 mm	542 459 19	542 459 52	542 459 85
2500 mm	542 459 20	542 459 53	542 459 86
2600 mm	542 459 21	542 459 54	542 459 87
2700 mm	542 459 22	542 459 55	542 459 88
2800 mm	542 459 23	542 459 56	542 459 89
2900 mm	542 459 24	542 459 57	542 459 90
3000 mm	542 459 25	542 459 58	542 459 91
3100 mm	542 459 26	542 459 59	542 459 92
3200 mm	542 459 27	542 459 60	542 459 93
3300 mm	542 459 28	542 459 61	542 459 94
3400 mm	542 459 29	542 459 62	542 459 95
3500 mm	542 459 30	542 459 63	542 459 96
3600 mm	542 459 31	542 459 64	542 459 97
3700 mm	542 459 32	542 459 65	542 459 98
3800 mm	542 459 33	542 459 66	542 459 99

Modular tables with straight legs are also available.



CLEANassist

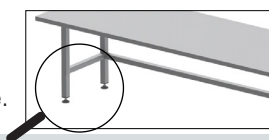
Modular tables



Packing table PTB		
Design	Material	Height
Base frame made of 40 x 40 mm square type tube Without tabletop, from 600–2100 mm with 4 legs, > 2100 mm with 6 legs, see overview on page 39 With plastic feet that can be levelled and welded shelf (single wall)	Stainless steel	850 mm

Width	Depth 600 mm Item no.	Depth 700 mm Item no.	Depth 800 mm Item no.
Legs: 4			
600 mm	542 460 01	542 460 34	542 460 67
700 mm	542 460 02	542 460 35	542 460 68
800 mm	542 460 03	542 460 36	542 460 69
900 mm	542 460 04	542 460 37	542 460 70
1000 mm	542 460 05	542 460 38	542 460 71
1100 mm	542 460 06	542 460 39	542 460 72
1200 mm	542 460 07	542 460 40	542 460 73
1300 mm	542 460 08	542 460 41	542 460 74
1400 mm	542 460 09	542 460 42	542 460 75
1500 mm	542 460 10	542 460 43	542 460 76
1600 mm	542 460 11	542 460 44	542 460 77
1700 mm	542 460 12	542 460 45	542 460 78
1800 mm	542 460 13	542 460 46	542 460 79
1900 mm	542 460 14	542 460 47	542 460 80
2000 mm	542 460 15	542 460 48	542 460 81
2100 mm	542 460 16	542 460 49	542 460 82
Legs: 6			
2200 mm	542 460 17	542 460 50	542 460 83
2300 mm	542 460 18	542 460 51	542 460 84
2400 mm	542 460 19	542 460 52	542 460 85
2500 mm	542 460 20	542 460 53	542 460 86
2600 mm	542 460 21	542 460 54	542 460 87
2700 mm	542 460 22	542 460 55	542 460 88
2800 mm	542 460 23	542 460 56	542 460 89
2900 mm	542 460 24	542 460 57	542 460 90
3000 mm	542 460 25	542 460 58	542 460 91
3100 mm	542 460 26	542 460 59	542 460 92
3200 mm	542 460 27	542 460 60	542 460 93
3300 mm	542 460 28	542 460 61	542 460 94
3400 mm	542 460 29	542 460 62	542 460 95
3500 mm	542 460 30	542 460 63	542 460 96
3600 mm	542 460 31	542 460 64	542 460 97
3700 mm	542 460 32	542 460 65	542 460 98
3800 mm	542 460 33	542 460 66	542 460 99

Modular tables with straight legs are also available.



CLEANassist

Modular tables



Packing table PT-F		
Design	Material	Height
<p>Base frame made of 40 x 40 mm square type tube, with 4 legs,</p> <p>Without tabletop, with 4 legs, 2 cross members for stabilization, see overview on page 39</p> <p>mobile on 4 antistatic castors Ø 125 mm, 2 lockable</p>	Stainless steel	850 mm

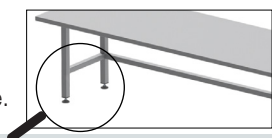
Width	Depth 600 mm Item no.	Depth 700 mm Item no.
Legs: 4		
600 mm	542 461 01	542 461 08
900 mm	542 461 02	542 461 09
1000 mm	542 461 03	542 461 10
1200 mm	542 461 04	542 461 11
1500 mm	542 461 05	542 461 12
1600 mm	542 461 06	542 461 13
2000 mm	542 461 07	542 461 14



Packing table PTB-F		
Design	Material	Height
<p>Base frame made of 40 x 40 mm square type tube, with 4 legs</p> <p>With welded shelf (single wall) for stabilization</p> <p>Mobile on 4 antistatic castors Ø 125 mm, 2 lockable castors</p> <p>Worktop not included, please refer to page 39</p>	Stainless steel	850 mm

Width	Depth 600 mm Item no.	Depth 700 mm Item no.
Legs: 4		
600 mm	542 462 01	542 462 08
900 mm	542 462 02	542 462 09
1000 mm	542 462 03	542 462 10
1200 mm	542 462 04	542 462 11
1500 mm	542 462 05	542 462 12
1600 mm	542 462 06	542 462 13
2000 mm	542 462 07	542 462 14

Modular tables
with straight legs
are also available.



CLEANassist

Tabletops for modular tables



1

Model	Design
1 Tabletop made of stainless steel	Smooth tabletop, tabletop surface 240 grain polished, underside reinforced with profiles, 40 mm bevel on all sides
Tabletop cladding	Additional cover for the underside of the tabletop for improved hygiene, essential for height adjustable packing tables and when installing base cabinets underneath the tabletop



2



3



4*



5*

! *For custom colours please consult with your local Partner!

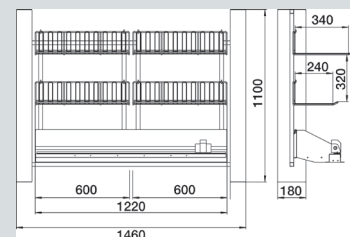
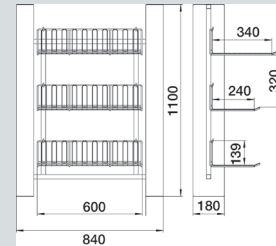
Model	Design	Dimensions
2 Corian tabletop	Corian work surface 13 mm, doubled to 40 mm, with circumferential rounded and coated edge, radius 10 mm, thickness 40 mm, max. tabletop length: 3680 mm	For tabletop depth: < 750 mm 750–800 mm > 800 mm
3 Acryl table top		
4 Colour sample for Corian tabletops - custom colours are available		
5 Colour sample for Resopal tabletops - custom colours are available		

CLEANassist Packing Table Equipment

Rack Attachment with Media Column

Rack attachments	
Design	Installation
Consists of 2 media columns made of stainless steel With welded segments made of 25 x 25 mm square tubing, suitable to hold baskets, holders, and nodes; for 3 storage levels spaced 320 mm apart	Type 1 on tabletop, hooks on one side
	Type 2 between 2 packing tables standing back to back, hooks on both sides

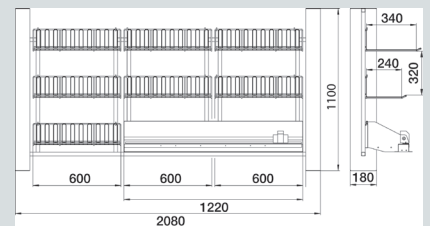
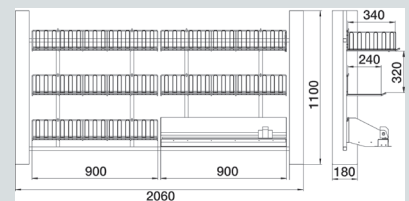
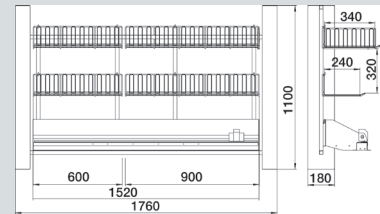
Minimum tabletop length	Component receptacle	Component width	Hook	Type	Dimensions (W x D x H)	Item no.
Rack attachment for tabletop of packing table, with 1 segment						
860 mm	max. 3	600 mm	one-sided	1	840 x 180 x 1100 mm	542 464 01
	max. 6	600 mm	double-sided	2		542 464 02
1160mm	max. 3	900 mm	one-sided	1	1140 x 180 x 1100 mm	542 464 03
	max. 6	900 mm	double-sided	2		542 464 04
Rack attachment for tabletop of packing table, with 2 segments						
1480 mm	max. 6	600 mm	one-sided	1	1460 x 180 x 1100 mm	542 464 05
	max. 12	600 mm	double-sided	2		1460 x 180 x 1100 mm



CLEANassist Packing Table Equipment

Rack Attachment with Media Column

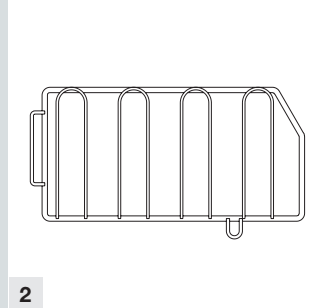
Minimum tabletop length	Component receptacle	Component receptacle	Hook	Type	Dimensions (W x D x H)	Item no.
Rack attachment for tabletop of packing table, with 2 segments						
1780 mm	max. 6	600 mm	one-sided	1	1760x180 x1100 mm	542 464 09
	max. 3	900 mm				
	max. 12	600 mm	double-sided	2		542 464 10
	max. 6	900 mm				
2080 mm	max. 6	900 mm	one-sided	1	2060x180 x1100 mm	542 464 07
	max. 12	900 mm	double-sided	2		542 464 08
Rack attachment for tabletop of packing table, with 3 segments						
2100 mm	max. 9	600 mm	one-sided	1	2080x180 x1100 mm	542 464 11
	max. 18	600 mm	double-sided	2		542 464 12
2400 mm	max. 9	600 mm	one-sided	1	2380x180 x1100 mm	542 464 13
	max. 6	900 mm				
	max. 18	600 mm	double-sided	2		542 464 14
	max. 12	900 mm				
2700 mm	max. 9	600 mm	one-sided	1	2680x180 x1100 mm	542 464 15
	max. 6	900 mm				
	max. 18	600 mm	double-sided	2		542 464 16
	max. 12	900 mm				
3000 mm	max. 9	900 mm	one-sided	1	2980x180 x1100 mm	542 464 17
	max. 18	900 mm	double-sided	2		542 464 18



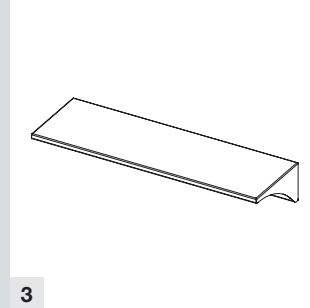
CLEANassist Packing Table Equipment – Accessories for Rack Attachment



1



2



3

	Model		Design	Material	Dimensions (W x D x H)	Item no.
1	Storage basket with 2 brackets	282 mm deep	With access taper open to the side, matches the rack attachment, can be strung together in any number to form continuous wire sections, closed wire loops welded to the wall frame, mesh width: 25 x 25 mm Wire thickness: Loops: 3 mm, Wall frame: 6 mm	Stainless steel, electrolytically polished, seamless construction	600 x 282 x 150 mm	542 440
					900 x 282 x 150 mm	542 457
		382 mm deep			600 x 382 x 150 mm	542 439
					900 x 382 x 150 mm	542 456
2	Wire divider	for basket depth: 280 mm	Equipped with wire retaining loops at the sides and bottom, can be alternatively mounted to the wall frame as a side wall limiter, removable at any time	Stainless steel, electrolytically polished	246 x 126 mm	542 487
		380 mm			346 x 126 mm	542 488
3	Shelf		For rack attachment, single wall	Stainless steel, 240 grain polished	600 x 290 x 150 mm	542 524
					600 x 390 x 150 mm	542 526
					900 x 290 x 150 mm	542 527
					900 x 390 x 150 mm	542 528



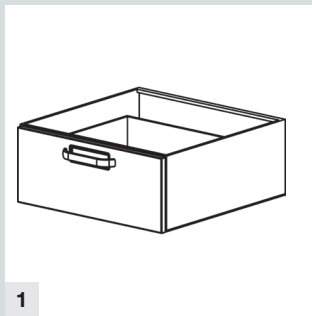
4

4 STE baskets

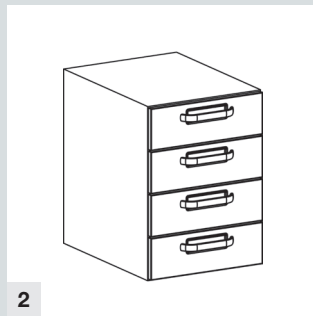
Please see on page 17.

CLEANassist

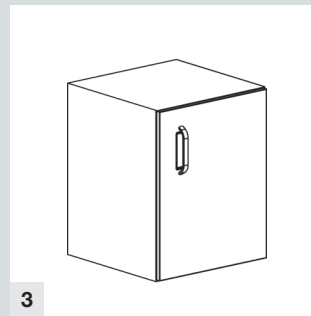
Packing Table Equipment – Base Cabinets



1



2



3

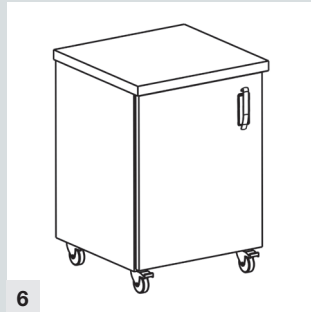
	Model	Design	Material	Dimensions	Item no.
1	Drawer for packing table		Stainless steel	450 x 150 mm (W x D)	542 331 01
				600 x 150 mm (W x D)	542 331 02
2	Drawer base cabinet for installation under the tabletop, type MLT HPT	4 drawers 150 mm high each, 4 handles	Stainless steel	450 x 580 x 600 mm (W x D x H)	542 497
3	Folding door base cabinet for installation under the tabletop, type MFB1 HPT	1 folding door (hinged left or right), 1 handle	Stainless steel	450 x 580 x 600 mm (W x D x H)	542 495



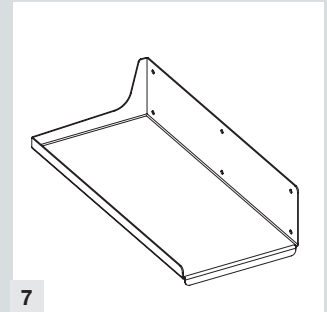
4



5



6



7

	Model	Design	Material	Dim. (W x D x H)	Item no.
4	Mobile base cabinet with 3 drawers Type MLTU/3	Tabletop made of stainless steel, edge height: 25 mm, 3 drawers 150 mm high each, 3 handles 4 antistatic swivel castors Ø 75 mm, 2 of them lockable	Stainless steel	465 x 595 x 585	537 934 02
				615 x 595 x 585	537 934 04
5	Mobile base cabinet with 4 drawers Type MLTU/4	Tabletop made of stainless steel, edge height: 25 mm 4 drawers 150 mm high each, 4 handles 4 antistatic swivel castors Ø 75 mm, 2 of them lockable	Stainless steel	465 x 595 x 735	537 934 06
				615 x 595 x 735	537 934 08
6	Mobile base cabinet with folding door and shelf insert Type MFBU	Tabletop made of stainless steel, edge height: 25 mm, 1 folding door, hinged left or right, 1 handle, 1 wood / plastic shelf insert 4 antistatic swivel castors Ø 75 mm, 2 of them lockable	Stainless steel	465 x 595 x 585	537 926 04
				615 x 595 x 585	537 926 08
	Mobile base cabinet with folding door and 2 shelf inserts Type MFBU	Tabletop made of stainless steel, edge height: 25 mm, 1 folding door, 1 handle (handle shell, bow handle, or plastic handle shell), 2 wood / plastic shelf inserts	Stainless steel	465 x 595 x 735	537 926 12
				615 x 595 x 735	537 926 16
7	PC shelf	Open shelf, installed underneath the tabletop, right	Stainless steel	200 x 450 x 100	542 806 01
				Open shelf, installed underneath the tabletop, left	542 806 02

CLEANassist

Packing Table Equipment



Model	Design	Material	Dimensions (W x D x H)	Item no.
1 Media column		Stainless steel	100 x 180 x 1100 mm	600 779
Media column with ceiling bracket	Telescoping ceiling column section adapts to the room height	Stainless steel	100 x 180 mm, any height; Ceiling conn. 133 x 204 x 350 mm	600 780
2 Network jack	Connection provided by the customer	Stainless steel		346 426
	Connection provided by the customer	Plastic		346 427
Cable passage			Ø 60 mm	145 692
Grounded outlet	With hinged cover and masking frame	Stainless steel appearance		542 467 01
		Plastic, colour light grey		542 467 02
Installation cut-out with socket cavity				600 781
3 Packing table illumination for rack attachment width:	840 mm	Illumination consisting of: 1 fluorescent lamp (21 W, length: 918 mm), tilts forward 1 tubular bracket 25 x 25 mm square tubing, Rocker switch for illumination Screwed to the media column	Stainless steel	542 464 19
	1140 mm			542 464 20
	1460 mm			542 464 21
	1760 mm			542 464 22
	2060 mm			542 464 23
	2080 mm			542 464 24
	2380 mm			542 464 25
	2680 mm			542 464 26
	2980 mm			542 464 27

CLEANassist Packing Table Equipment – Accessories



Model	Design	Item no.
Flat screen holder incl. accessories	Can be configured with components 01–04 (when ordering, please specify the article number of the holder and the article number of the additional securing elements)	543 514
1 Support arm	For mounting a standard monitor with 1-piece swivel arm and quick release, continuous adjustment in all directions for max. monitor weight of 15 kg; delivery incl. cable holder, range: 250 mm	609 793
2 Keyboard holder for keyboard and mouse	For supporting computer keyboard and mouse, can be swivelled to the side if necessary. The support panel is 640 x 172 mm large and can be loaded up to 10 kg. Can be tilted to an angle of 45°. Delivery incl. two cable holders	609 794
3 Column with drilling screw mounting	For mounting to the table top, for table tops 5-70 mm thick; length: 845 mm, delivery incl. two cable clips	609 795
4 Wall-mount rail	For wall mounting, support rail for wall mounting regardless of the wall's properties; length: 890 mm, width: 51 mm depth: 38.5 mm, delivery incl. two cable clips	609 796



Model	Design	Dimensions (W x D x H)	Item no.
5 Magnifying lamp	Mounted on media column, 3 dioptré glass lens with protective plastic cover, 1 x 22 watt circular fluorescent lamp, positioning 50 mm, with wall mounting, ready to plug in, colour: light grey (RAL 7035)	Arm length: 1040 mm Ø lens: 125 mm	542 500
6 Cutter with roll holder	For rolls up to approx. 220 mm Ø, rolls can be inserted from above, with smooth-running cutting wheel in fully encased housing to protect against injuries, stainless steel	900 x 350 x 210 mm Cutting length max. 750 mm	542 521
		1220 x 350 x 210 mm Cutting length max. 990 mm	542 522
		1520 x 350 x 210 mm Cutting length max. 1330 mm	542 523

CLEANassist Transportation



High quality: The fully welded transport trolley, the slide-in rack, and the transfer trolley are seamlessly constructed and especially robust.

Hygienic: The doors have a dust-proof seal, reducing the risk of recontamination.

Manoeuvrable: The handle positions on the sides permit better power transmission by the user, so that even a fully loaded transport trolley is easy to manoeuvre.

Practical: Depending on the required storage duration, storage can take place open on a platform or enclosed in a MEGAPROGRESS functional cabinet.

User-friendly: Frontal docking is secure and easy to handle. Secure docking is always possible. The lock can easily be released by hand.

Changing direction: The shuttle transport system can be moved in two directions. This makes it compatible with any autoclave.

The shuttle system is an innovative transport system. It can be used anywhere it is required.

Since storage in the shuttle transport trolley or fixed shuttle cabinet is possible, there is no need to manually reload the individual sterile equipment systems at the transfer points. Depending on the size of the shuttle system, several 100 kg of sterile equipment are placed into the shuttle slide-in rack once after packing, and brought to and through the autoclave this way. They are then stored in the corresponding storage systems until use.

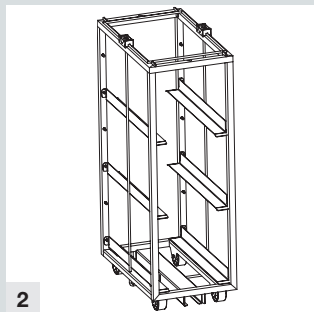


CLEANassist

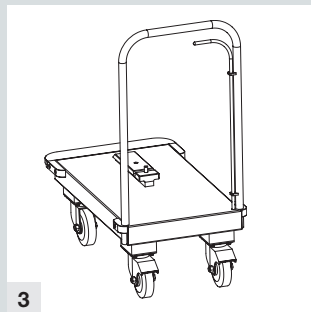
Shuttle System 3 StU



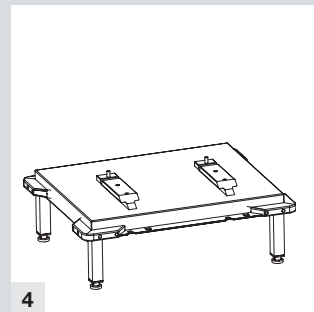
1



2



3

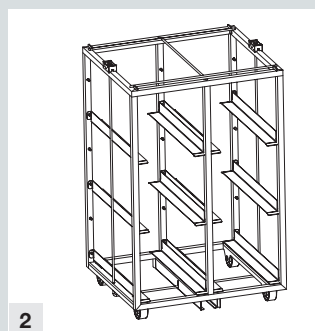


4

Description	Dimensions (W x D x H)	Item no.
<p>1 Shuttle transport trolley 2 x 3 StU</p> <p>Single-wall transport trolley made of stainless steel to hold 2 slide-in racks 3 StU</p> <p>Guided and locked with 2 T-profiles.</p> <p>2 double-walled folding doors with circumferential seal and stop rail, door with 270° opening angle, lockable at 255° and 270°, lockable via knob</p> <p>4 push handles mounted vertically on the sides</p> <p>4 electrically conductive swivel castors, Ø 150 mm, 2 of them lockable, washing bay compatible, suitable for outdoor transportation with full rubber tires</p>	<p>965 x 775 x 1480 mm</p>	<p>543 244</p>
<p>2 3 StU slide-in shelf, with support brackets</p> <p>Sturdy slide-in rack made of stainless steel, 25 x 25 mm rectangular tubing, for storage and transport of 3 StU sterile equipment</p> <p>Safety catch to lock the slide-in rack in the T-profile</p> <p>1 section to hold 3 StU max., 3 pairs of removable support brackets</p> <p>4 fixed castors, Ø 80 mm, can be sterilized</p>	<p>370 x 600 x 1085 mm</p>	<p>543 207</p>
<p>3 3 StU transfer trolley</p> <p>Transfer trolley made of stainless steel, for transportation of a 3 StU shuttle slide-in rack</p> <p>The slide-in rack is guided and locked to the platform via a T-profile, equipped with 1 hook underneath for safe frontal docking of the transfer trolley to the transport trolley</p> <p>1 straight push handle on the long side, three-sided bumper</p> <p>4 electrically conductive swivel castors Ø 125 mm, 2 of them lockable</p>	<p>450 x 765 x 930 mm</p>	<p>543 250</p>
<p>4 Free-standing lower frame for 2 x 3 StU</p> <p>Stainless steel platform with 4 legs</p> <p>2 slide-in racks (3 StU) are guided and locked to the platform via 2 T-profiles, with 2 frontal devices for docking on the transfer trolley</p> <p>4 corner bumpers</p> <p>With adjustable plastic feet</p>	<p>820 x 665 x 325 mm</p>	<p>543 253</p>

CLEANassist

Shuttle System 6 StU

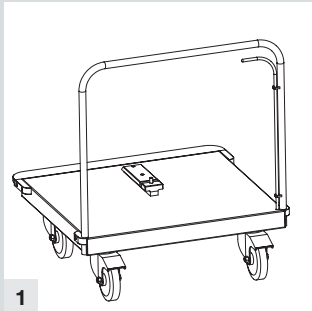


	Description	Dimensions (W x D x H)	Item no.
1	Shuttle transport trolley 6 StU*		
	<p>Single-wall transport trolley made of stainless steel to hold one slide-in rack 6 StU With frontal docking device 2 double-walled folding doors with circumferential seal and stop rail, door with 270° opening angle, lockable at 255° and 270°, lockable via knob 4 push handles mounted vertically on the sides 4 swivel castors, Ø 150 mm, 2 of them lockable, washing bay compatible, suitable for outdoor transport with full rubber tires</p>		
	For slide-in rack can be moved in 1 direction, Guided and locked with 1 T-profile.	965 x 775 x 1480 mm	543 246
	For slide-in rack can be moved in 2 directions, Guided and locked with 2 T-profiles.	965 x 775 x 1480 mm	543 256
2	6 StU slide-in rack, with support brackets		
	<p>Sturdy slide-in rack made of stainless steel, 25 x 25 mm rectangular tubing, for storage and transport of 6 StU sterile equipment Safety catch to lock the slide-in rack in the T-profile, 2 sections to hold 6 StU max., 6 pairs of insertable support brackets 4 castors, can be sterilized</p>		
	Slide-in rack can be moved in 1 direction, fixed castors, Ø 80 mm, can be sterilized	700 x 600 x 1085 mm	543 208
	Slide-in rack can be moved in 2 directions, swivel castors, Ø 50 mm	700 x 600 x 1105 mm	543 260
3	Slide-in rack 6 STE with shelves		
	<p>Slide-in rack made of stainless steel, 25 x 25 mm square tube, for storage and transport of 6 STE sterile products With circlip for fixing the slide-in rack in the T-profile, 2 fields for holding max. 6 STE, 6 pairs of hook-in support brackets 4 swivel castors, Ø 50 mm</p>		
	Slide-in rack can be moved in 2 directions	700 x 600 x 1105 mm	543 261

*Illustration shows version to be moved in 1 direction

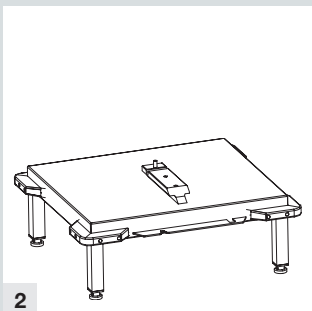
CLEANassist

Shuttle System 6 StU



1

Description	Dimensions (W x D x H)	Item no.
1 Shuttle transport trolley 6 StU		
Single-wall transport trolley made of stainless steel to hold one slide-in rack 6 StU With frontal docking device 2 double-walled folding doors with circumferential seal and stop rail, door with 270° opening angle, lockable at 255° and 270°, lockable via knob 4 push handles mounted vertically on the sides 4 swivel castors, Ø 150 mm, 2 of them lockable, washing bay compatible, suitable for outdoor transport with full rubber tires		
Shuttle transport trolley can be moved in 1 direction	825 x 765 x 930 mm	543 251
Shuttle transport trolley can be moved in 2 directions	805 x 765 x 930 mm	543 264

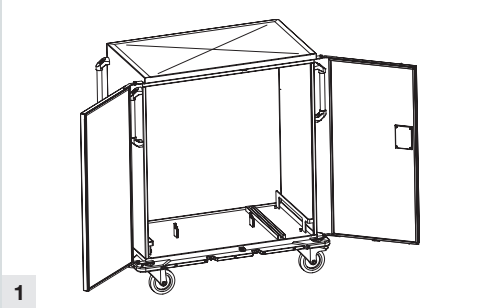


2

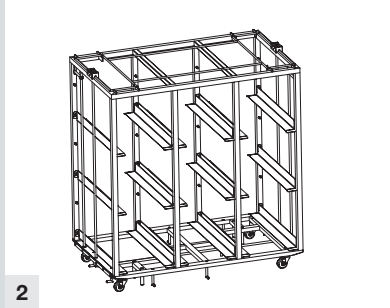
Description	Dimensions (W x D x H)	Item no.
2 6 StU slide-in rack, with support brackets		
Sturdy slide-in rack made of stainless steel, 25 x 25 mm rectangular tubing, for storage and transport of 6 StU sterile equipment Safety catch to lock the slide-in rack in the T-profile, 2 sections to hold 6 StU max., 6 pairs of insertable support brackets 4 fixed castors, Ø 80 mm, can be sterilized		
Slide in rack can be moved in 1 direction	755 x 665 x 325 mm	543 254
Slide in rack can be moved in 2 directions	775 x 665 x 325 mm	543 515

CLEANassist

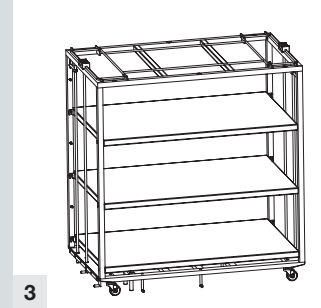
Shuttle System 9 StU



1



2

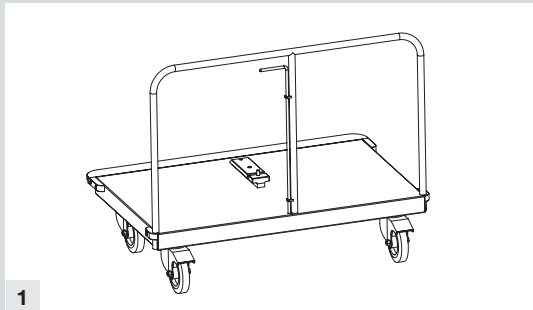


3

Description	Dimensions (W x D x H)	Item no.
1 Shuttle transport trolley 9 StU		
<p>Single-walled transport trolley made of stainless steel to hold one 9 StU slide-in rack; with frontal docking device</p> <p>2 double-walled folding doors with circumferential seal and stop rail, door with 270° opening angle, lockable at 255° and 270°, lockable via knob</p> <p>4 push handles mounted vertically on the sides</p> <p>4 swivel castors, partly electrically conducting, 2 of them lockable, Ø 160 mm, suitable for outdoor operation with full rubber tires, washing bay compatible</p>		
For 9 StU slide-in rack, mobile in 1 direction, guided and locked via 1 T-profile	1295 x 775 x 1480 mm	543 248
For 9 StU slide-in rack, mobile in 2 directions, guided and locked via 2 T-profiles	1295 x 775 x 1480 mm	543 258
Description	Dimensions (W x D x H)	Item no.
2 9 StU slide-in rack, with support brackets		
<p>Sturdy slide-in rack made of stainless steel, 25 x 25 mm rectangular tubing, for storage and transportation of 9 StU sterile equipment</p> <p>Safety catch to lock the slide-in shelf in the T-profile,</p> <p>3 sections to hold 9 StU max., 9 pairs of removable support brackets,</p> <p>4 fixed castors, can be sterilized, Ø 80 mm</p>		
Slide-in rack, mobile in 1 direction	1020 x 600 x 1085 mm	543 209
Slide-in rack, mobile in 2 directions	1020 x 600 x 1105 mm	543 262
Description	Dimensions (W x D x H)	Item no.
3 9 StU slide-in rack, with shelves		
<p>Sturdy slide-in rack made of stainless steel, 25 x 25 mm rectangular tubing, for storage and transportation of 9 StU sterile equipment</p> <p>Safety catch to lock the slide-in shelf in the T-profile,</p> <p>3 shelves to hold 9 StU max.,</p> <p>4 fixed castors, can be sterilized, Ø 50 mm</p>		
Slide-in rack, mobile in 1 direction	700 x 600 x 1085 mm	543 516
Slide-in rack, mobile in 2 directions	700 x 600 x 1105 mm	543 263

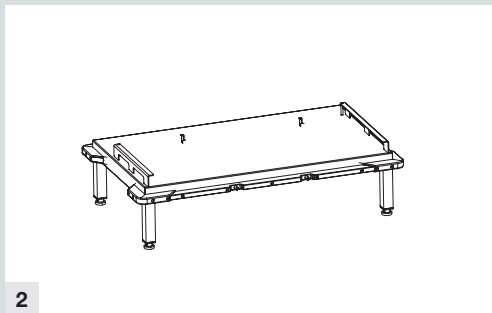
CLEANassist

Shuttle System 9 StU



1

Description	Dimensions (W x D x H)	Item no.
1 9 StU transfer trolley		
Transfer trolley made of stainless steel for transport of one 9 StU shuttle slide-in rack Equipped with 2 hooks underneath for safe frontal docking of the transfer trolley to the transport trolley 1 straight push handle on the long side, three-sided bumper 4 conductive swivel castors Ø 160 mm, 2 of them lockable		
Shuttle transport trolley can be moved in 1 direction	1160 x 765 x 930 mm	543 252
Shuttle transport trolley can be moved in 2 directions	1140 x 765 x 930 mm	543 265

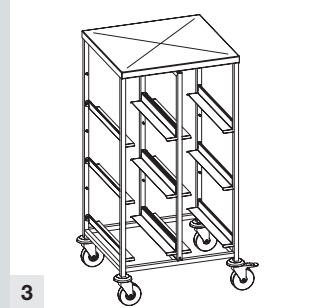


2

Description	Dimensions (W x D x H)	Item no.
2 Free-standing lower frame for 9 StU		
Stainless steel platform with 4 legs 2 slide in racks, 3 StU, guided and locked to the platform with 2 frontal devices to dock the 3 StU transfer trolleys 4 corner bumpers With adjustable plastic feet		
For slide-in rack, mobile in 1 direction	1100 x 665 x 325 mm	542 890
For slide-in rack, mobile in 2 directions	1130 x 680 x 345 mm	543 255

CLEANassist

Transport Trolleys



Description	Dimensions (W x D x H)	Item no.
Open transport trolley with shelves*		
<p>Open 25 x 25 mm square tubular frame construction, made of stainless steel</p> <p>With 3 removable shelves (max. loading capacity 60 kg per shelf)</p> <p>4 conductive swivel castors Ø 125 mm, 2 of them lockable, with wall deflectors</p>		
1 Holds max. 6 StU sterile equipment (for a maximum of 3 small shelves à 679 x 564 x 30 mm)	760 x 695 x 1397 mm	543 137
2 Holds max. 9 StU Sterilgut (for a maximum of 3 large shelves à 1009 x 564 x 30 mm)	1090 x 695 x 1397 mm	543 139
Description	Dimensions (W x D x H)	Item no.
Open transport trolley with support brackets*		
<p>Open 25 x 25 mm square-type tube frame construction, single-walled, made of stainless steel</p> <p>With 6 pairs of height adjustable support brackets, (max. loading capacity 20 kg per pair of angled support brackets)</p> <p>4 conductive swivel castors Ø 125 mm, 2 of them lockable, with wall deflectors</p>		
3 Holds max. 6 StU sterile equipment, with 6 pairs of support brackets (incl. 1 StU frame for support brackets)	760 x 695 x 1397 mm	543 138
4 Holds max. 9 StU sterile equipment, with 9 pairs of support brackets (incl. 2 StU frames for support brackets)	1090 x 695 x 1397 mm	543 140

* Can be interchanged in seconds – to shelves or support brackets depending on the model – completely without tools.

CLEANassist

Transport Trolleys



Description	External dimensions (WxDxH) Internal dimensions (WxDxH)	Empty weight	Item no.
Enclosed container transport trolley with shelves*			
<p>Closed single-walled construction in stainless steel, 2 double-walled folding doors with circumferential seal and stop rail, door with opening angle 270°, lockable at 255°, 2 removable shelves, 4 push handles mounted vertically on the sides, all-round massive bumper strip, 4 conductive swivel castors, 2 of them lockable, loading capacity: 200 kg, max. capacity per shelf: 60 kg</p>			
1 Holds max. 6 StU sterile equipment	840 x 785 x 1485 mm 634 x 622 x 1132 mm	94,5 kg	543 131
2 Holds max. 9 StU sterile equipment	1170 x 785 x 1485 mm 964 x 622 x 1132 mm	117,5 kg	543 133
Description	External dimensions (WxDxH) Internal dimensions (WxDxH)	Empty weight	Item no.
Closed container transport trolley with support brackets			
<p>Closed single-walled construction in stainless steel with 12 pairs of height adjustable support brackets, 2 double-walled folding doors with circumferential seal and stop rail, door with opening angle 270°, lockable at 255°, 4 push handles mounted vertically on the sides, all-round massive bumper strip, 4 conductive swivel castors, 2 of them lockable, loading capacity: 200 kg</p>			
3 Holds max. 6 StU sterile equipment, 6 pairs of support brackets (incl. 1 STW frame for support bracket, 2 connecting profiles for STW Frame and 1 fixing profile for STW frame)	840 x 785 x 1485 634 x 622 x 1132	102,5 kg	543 132
4 Holds max. 9 StU sterile equipment, 9 pairs of support brackets (incl. 2 STW frame for support bracket, 4 connecting profiles for STW Frame and 2 fixing profile for STW frame)	1170 x 785 x 1485 964 x 622 x 1132	130,5 kg	543 134

* Can be interchanged in seconds – to shelves or support brackets depending on the model – completely without tools.

CLEANassist

Transport Trolleys



	Description	Exterior dimensions (W x D x H) Interior dimensions (W x D x H)	Empty weight	Item no.
Closed transport trolley, fully-welded, with shelves*				
Closed fully-welded model in stainless steel, suitable for washing systems in connection with stainless steel rollers (not included, see accessories below: MC 0357), 2 double-walled folding doors with circumferential seal and stop rail, door with opening angle 270°, lockable at 255°, with 2 removeable, height-adjustable shelves, two vertical stainless steel push handles on each of the two sides, all-round massive bumper strip, 2-point locking 4 galvanised swivel castors Ø 160 mm, 2 of them lockable, for indoor/outdoor transport, loading weight 180 kg, max. loading capacity per shelf: 60 kg				
1	Holds max. 6 StU sterile equipment	850 x 780 x 1495 mm 664 x 622 x 1132 mm	107 kg	543 194
2	Holds max. 9 StU sterile equipment	1180 x 785 x 1485 mm 994 x 622 x 1132 mm	113 kg	543 196
	Description	Exterior dimensions (W x D x H) Interior dimensions (W x D x H)	Empty weight	Item no.
Closed container transport trolley, fully-welded, with support brackets				
Closed fully-welded model in stainless steel, suitable for washing systems in connection with stainless steel rollers, 2 double-walled folding doors with circumferential seal and stop rail, door with opening angle 270°, lockable at 255°, 2-point locking, 4 galvanised swivel castors Ø 160 mm, 2 of them lockable, for indoor/outdoor transport, loading weight 180 kg, max. loading capacity per support bracket: 20 kg				
3	Holds max. 6 StU sterile equipment with 6 pairs of height-adjustable support brackets (incl. 1 STW frame for support bracket, 2 connecting profiles for STW frame)	850 x 780 x 1495 mm 664 x 622 x 1132 mm	132 kg	543 195
4	Holds max. 9 StU sterile equipment with 9 pairs of height-adjustable support brackets (incl. 2 STW frame for support bracket, 4 connecting profiles for STW frame)	1180 x 785 x 1485 mm 994 x 622 x 1132 mm	144 kg	543 197
Accessories for container transport trolley				
	Small shelf, single-walled, for entire trolley width, stainless steel	Dimensions (W x D x H): 679 x 564 x 30 mm		353 471
	Large shelf, single-walled, for entire trolley width, stainless steel	Dimensions (W x D x H): 1009 x 564 x 30 mm		353 472
	Perforated shelf, stainless steel	Dimensions (W x D x H): 308 x 559 x 30 mm		600 777
	STW frame for support angels	Dimensions (W x D x H): 25 x 618 x 1147 mm		353 479
	Connecting profile for frame (2 pieces)			353 513
	Fixing profile for frame			353 503
	1 pair of support ledges	Dimensions (W x D x H): 60 x 600 x 50 mm		542 889
	Heavy-load extension - for hooking into pins for STE inner frame and shelf	Dimensions (W x D x H): 292 x 600 mm		542 529
	4 steering castors, stainless steel, suitable for washing systems, non-antistatic Ø 160 mm	Ø 160 mm		MC0357
	All-round bumper rail			MC0353
	4 corner guards with 4 middle buffers			MC0351
	Door lock, 255°			MC0355
	Card holder	Dimensions (W x D x H): 215 x 5 x 130 mm		353 846
	Lead-sealing device			542 966
	Lock			MC0356
	Ground cable			MC0350

* Can be interchanged in seconds – to shelves or support brackets depending on the model – completely without tools.

CLEANassist Storage



For storage the space-saving systems are especially in demand. From the closed storage in the StU cabinet, to the pass-through cabinet, from the container slide-in pass-through cabinet the fixed shuttle cabinet to open storage on StU and shelving units, MED-Systeme offers flexible, modular storage systems that are especially tailored to individual requirements.

Cabinet systems:

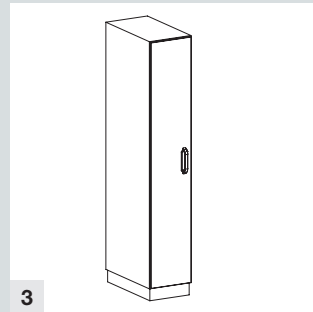
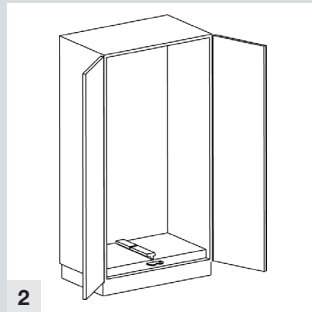
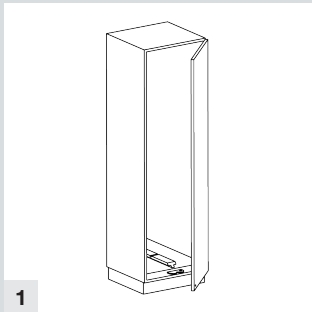
- Made of stainless steel or powder-coated sheet steel
- Double-walled sandwich construction for maximum stability
- Patented hinge mechanism with locking function for clean storage of sterile equipment
- Flexible interior design, e.g. with shelves, support brackets, or heavy-duty pull-outs

Shelving systems:

- Made entirely of stainless steel
- StU shelves, e.g. with support brackets or pull-outs
- Shelving units with single-walled or double-walled shelf design
- Flexible dimensions for precise adaptation to the respective room
- Height adjustable storage components
- Hygienic construction

CLEANassist

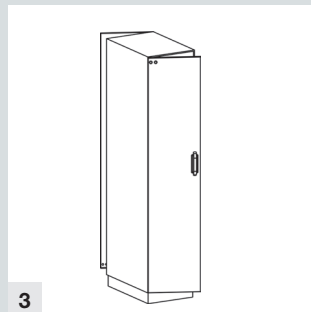
StU Storage Cabinets



Design	Capacity	Dimensions (WxDxH)	Material	Item no.	
Parking cabinet for shuttle slide-in racks					
For enclosed storage of sterile equipment in a shuttle slide-in rack, double-walled sandwich construction, with folding door, door hinged on the right or left with one folding door, with double-walled bottom, with guide profile to lock the slide-in rack to the cabinet, with integrated frontal docking device					
1	1 folding door 1 handle	for slide-in rack 1 x 3 StU	470 x 757 x 2100 mm	Sheet steel, powder-coated	MC0220
				Stainless steel	MC0221
2	2 folding doors 2 handles	for slide-in racks 2 x 3 StU	870 x 757 x 2100 mm	Sheet steel, powder-coated	MC0222
				Stainless steel	MC0223
		for slide-in rack 1 x 6 StU	800 x 757 x 2100 mm	Sheet steel, powder-coated	MC0224
				Stainless steel	MC0225
		for slide-in rack 1 x 9 StU	1150 x 757 x 2100 mm	Sheet steel, powder-coated	MC0226
				Stainless steel	MC0227
StU vertical cabinet					
Type CMFBH, with folding door, door hinged on the right or left with one folding door, holds StU containers or sterile equipment baskets, with stainless steel interior shelf to hold StU storage components, double-walled sandwich construction, cabinet without interior equipment					
3	1 folding door 1 handle	for max. 11 1/2 STU	400 x 680 x 2100 mm	Sheet steel, powder-coated	542 931 01
				Stainless steel	542 933 01
4	2 folding doors 2 handles	for max. 22 1/2 STU	730 x 680 x 2100 mm	Sheet steel, powder-coated	542 932 01
				Stainless steel	542 934 01
	2 folding doors 2 handles	for max. 33 1/2 STU	1060 x 680 x 2100 mm	Sheet steel, powder-coated	542 932 02
				Stainless steel	542 934 02
Shelves for the shuttle parking cabinet					
Single-walled shelf, for the shuttle parking cabinet, with shelf brackets					
for the parking cabinet 1 x 3 StU		423 x 707 x 25 mm	Stainless steel	537 932 17	
for the parking cabinet 6 StU		753 x 707 x 25 mm		537 932 18	
for the parking cabinet 9 StU		1103 x 707 x 25 mm		537 932 19	
for the parking cabinet 2 x 3 StU		823 x 707 x 25 mm		537 932 20	
Double-walled shelf, for the shuttle parking cabinet, with shelf brackets					
for the parking cabinet 1 x 3 StU		423 x 707 x 25 mm	Stainless steel	537 985 17	
for the parking cabinet 6 StU		753 x 707 x 25 mm		537 985 18	
for the parking cabinet 9 StU		1103 x 707 x 25 mm		537 985 19	
for the parking cabinet 2 x 3 StU		823 x 707 x 25 mm		537 985 20	

CLEANassist

Slide-In / Pass-Through Cabinets

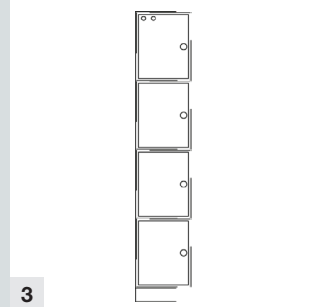


Design	Dimensions	Material	Item no.
1 Slide-in cabinet*			
Suitable for container transport trolleys, type MBHEE, with doors with integrated plinth, double-walled sandwich construction, without interior equipment, with rear wall			
2 folding doors 2 handles	1200 x 920 x 2100 mm	Sheet steel, powder-coated	537 629 01
		Stainless steel	547 629 01
2 Slide-in, pass-through cabinet*			
Suitable for container transport trolleys, ideal as a pass-through between a sterile and non-sterile area, type MFBHDF with 4 opposite folding doors, with two-way electromagnetic interlock, with doors with integrated plinth, double-walled sandwich construction, without interior equipment			
4 folding doors 4 handles	1200 x 920 x 2100 mm	Sheet steel, powder-coated	542 397 01
		Stainless steel	542 386 01
Pass-through cabinet*			
Ideal as a pass-through between a sterile and non-sterile area, type MFBDRH with opposite folding doors, with two-way electromagnetic interlock, equipped with 4 shelves, double-walled sandwich construction			
3 2 folding doors Door hinged right or left 2 handles (1 folding door and 1 handle up to a width of 660 mm)	600 x 700 x 2100 mm	Sheet steel, powder-coated	542 005 01
		Stainless steel	542 008 01
4 4 folding doors 4 handles (2 folding doors and 2 handles up to a width of 660 mm)	1200 x 700 x 2100 mm	Sheet steel, powder-coated	542 006 01
		Stainless steel	542 007 01

* Other dimensions on request

CLEANassist

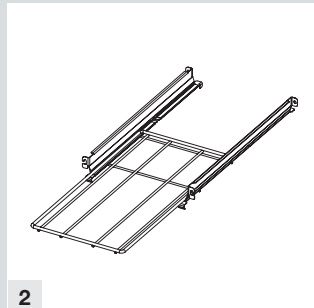
Pass-Through Cabinets / Shelving Systems



	Design		Dimensions	Material	Item no.
Lockable pass-through cabinet					
Ideal as a pass-through between a sterile and non-sterile area, type MFBHDR with opposite folding doors, with two-way electromagnetic interlocks, equipped with 4 shelves, double-walled sandwich construction					
1	2 folding doors, hinged left or right	Espagnolette lock 2 handles	600 x 700 x 2100 mm	Sheet steel, powder-coated	542 395 01
				Stainless steel	542 367 01
		Espagnolette lock with thumb turn knob No handle	900 x 700 x 2100 mm	Sheet steel, powder-coated	542 395 06
				Stainless steel	542 367 06
2	4 folding doors	Espagnolette lock 4 handles	1200 x 700 x 2100 mm	Sheet steel, powder-coated	542 396 01
				Stainless steel	542 394 01
		Espagnolette lock with thumb turn knob No handle	1200 x 700 x 2100 mm	Sheet steel, powder-coated	542 396 05
				Stainless steel	542 396 05
Interlock for pass-through installations					
Two-way electromagnetic lock, with two opposite doors for pass-through shelf and pass-through cabinet					340 457
Pass-through shelf for StU dimensions					
3	Suitable for installation in wall apertures or as a room divider, self-supporting stainless steel construction, semi-gloss finish, 180 grain polished, 4 frontal folding doors, 4 handles, lockable with thumb turn knob, double-walled sandwich construction, 4 compartments				
	Rear side open		400 x 680 x 2100 mm	Stainless steel	537 998 01
	Rear side with folding door, lockable				537 998 02
Pass-through shelf for ISO dimensions					
3	Suitable for installation in wall apertures or as a room divider, self-supporting stainless steel construction, semi-gloss finish, 180 grit polished, 4 frontal folding doors, hinged right, lockable with thumb turn knob, 4 handles, double-walled sandwich construction				
	Rear side open		460 x 680 x 2100 mm	Stainless steel	537 999 01
	Rear side with folding door, lockable				537 999 02

CLEANassist

StU Storage



Description	Design	Capacity	Dimensions (W x D x H)	Item no.
StU shelf made of stainless steel				
1 StU shelf single element with adjustable feet and plastic cover caps	Consists of 2 shelf uprights, crossbar, top and bottom panels, max. 600 kg shelf load	Max. 11 x 1/2 StU baskets per StU shelf	355 x 615 x 2100 mm Height increment 170 mm	542 908
StU add-on shelf single element with adjustable feet and plastic cover caps	Consisting of 1 shelf upright, top and bottom panels Max. 600 kg shelf load	Max. 11 x 1/2 StU baskets per StU shelf	330 x 615 x 2100 mm Height increment 85 mm	542 917
StU shelf upright	With threaded feet and plastic cover caps		615 x 2100 mm Height increment 85 mm	542 907
Crossbar for shelf upright	For installation and stabilization of the StU shelf			543 238
1 pair of support brackets for StU shelf	Required quantity per base shelf: 1 to 11 pairs		60 x 600 x 50 mm	542 889
Spacer for StU shelf				542 878
Slotted shelf panel for StU shelf				600 777
Shelf panel, closed, for StU shelf				600 778
StU heavy-duty pull-out				
2	For StU cabinets, StU shelf, and shuttle system Holds containers and sterile equipment baskets Consists of 1 wire shelf and 2 support brackets with plastic slide rail, with 2/3 pull-out and extension stop, for insertion Max. capacity 25 kg Stainless steel, electrolytically polished		292 x 600 mm (Wire shelf dimensions)	542 529

CLEANassist Shelving Systems

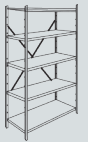
Shelving systems

Order information: The MED shelving systems are available in various heights, widths, and depths.

All shelves are add-on shelves that can be expanded as required. In addition, you can expand and combine shelves of various heights or attach a narrow shelf to a wide one. Angled installation is also possible. The shelf uprights are equipped with crossbars on the rear, which are joined using screws.

A single assembled base shelf consists of:

2 shelf uprights and 1 crossbar



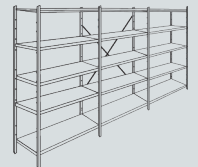
A base shelf with add-on shelf consists of:

3 shelf uprights and 1 crossbar



A shelf with 3 shelf sections consists of:

4 shelf uprights and 1 crossbar

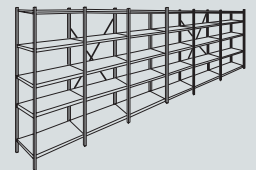


Due to the screwed crossbars, the shelf uprights are perfectly stable.

Therefore mounting a crossbar behind every third shelf is sufficient.

2 crossbars are required for 4 to 6 shelves.

The number of crossbars is incremented according to the number of shelf uprights.



Add-on shelves are smaller than the base shelf.

All that is required is an additional shelf upright.

The add-on system creates size deviations from the dimensions of the base shelf.

The size deviations of the MED shelves are shown in the illustration.

For evenly distributed loads,

the shelf capacity is as follows:

Metal grate shelves: 600–1000 mm wide 150 kg

1200–1500 mm wide 100 kg

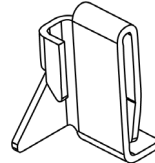
Solid shelves: 600–1200 mm wide 150 kg

1400–1500 mm wide 125 kg

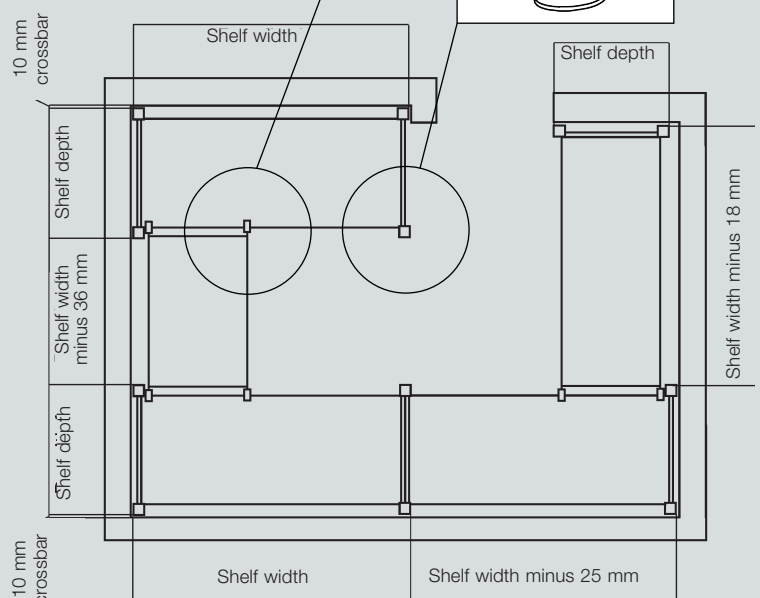
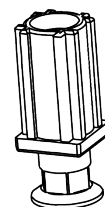
Total gross weight: 1200 kg.

Technical changes reserved.

Corner connecting bracket

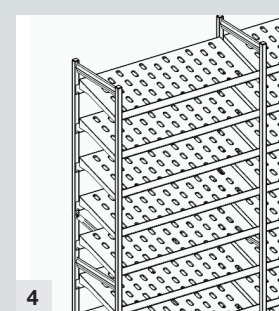
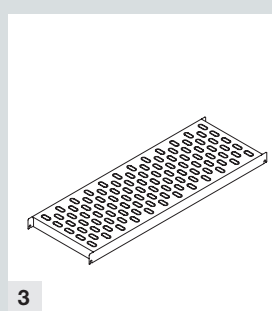
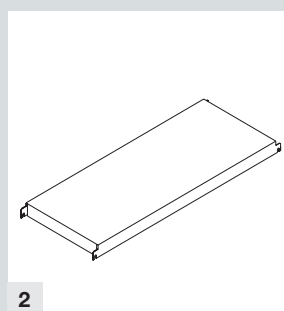
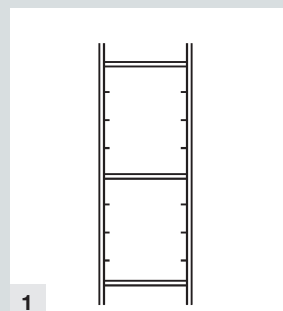


Adjustable foot



CLEANassist

Stainless Steel Shelving System

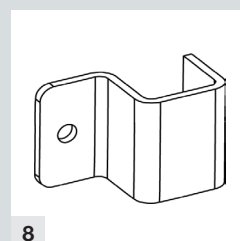
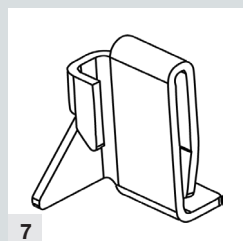
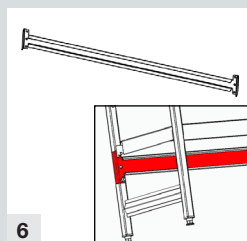
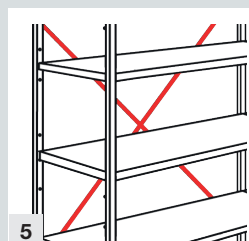


1 Shelf upright				
Height in mm	Item no.	Item no.	Item no.	Item no.
	Shelf depth 300 mm	Shelf depth 400 mm	Shelf depth 500 mm	Shelf depth 600 mm
1800	542 796	542 797	542 798	542 799
2000	542 800	542 801	542 802	542 803
2100	542 602	542 603	542 604	542 605

2 Enclosed support for shelf systems, smooth floor, single-walled				
Width in mm	Item no.	Item no.	Item no.	Item no.
	Shelf depth 300 mm	Shelf depth 400 mm	Shelf depth 500 mm	Shelf depth 600 mm
600	542 696	542 708	542 719	542 730
800	542 698	542 710	542 721	542 732
900	542 699	542 711	542 722	542 733
1000	542 700	542 712	542 723	542 734
1200	542 703	542 714	542 725	542 736
1400	542 705	542 716	542 727	542 738
1500	542 706	542 717	542 728	542 739

3 Metal grate shelf panel, slotted floor				
600	542 608	542 618	542 630	542 641
800	542 610	542 620	542 632	542 643
900	542 611	542 621	542 633	542 644
1000	542 612	542 622	542 634	542 645
1200	542 614	542 624	542 636	542 647
1400	542 615	542 627	542 638	542 649
1500	542 616	542 628	542 639	542 650

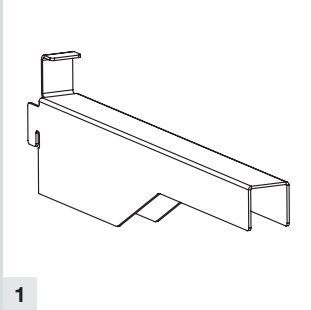
Model	Design	Dimensions
4 Tilted version of the shelving system	Available with smooth or slotted floor	Dimensions upon request, please contact your local Partner.



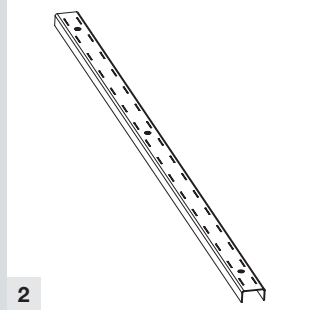
Model	Material	Dimensions (W x H x D)	Item no.
5 Crossbar for shelf upright	Stainless steel		542 784
6 Straight traverse	Stainless steel	Dimensions upon request	
7 Pair of corner connecting brackets	Stainless steel	48 x 60 x 30 mm	792 592
8 Wall-mount (Without installation hardware)	Stainless steel	40 x 55 x 29 mm	542 921
Floor pressure distribution plate	Stainless steel		542 922

CLEANassist

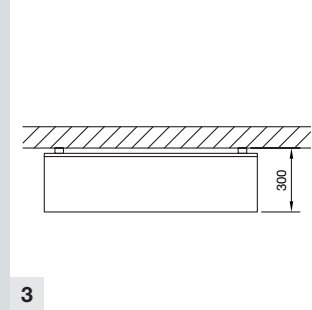
Stainless Steel Shelf System



1



2



3

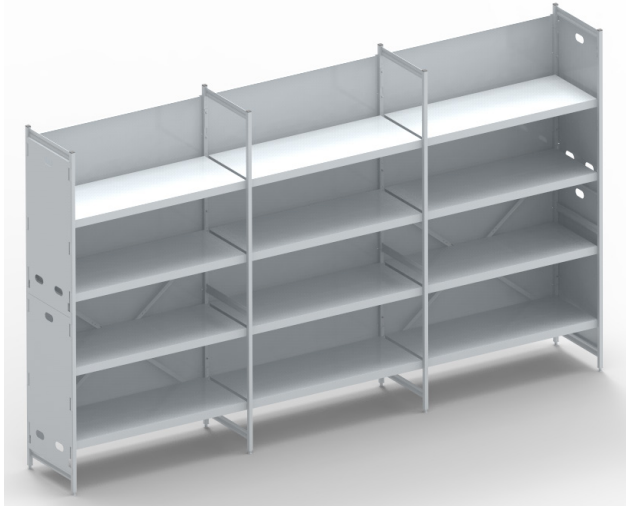
	Model	Design		Dimensions	Item no.	
1	Consoles Type KO-V	Stainless steel		for wall rail:	300 mm deep	536 996 01
				400 mm deep	536 996 02	
				500 mm deep	536 996 03	
				600 mm deep	536 996 04	
2	Wall rails Type VS	Stainless steel	Equipped with incremented slots to mount the consoles, grid height 75 mm	300 mm long	536 995 01	
				600 mm long	536 995 02	
				900 mm long	536 995 03	
				1200 mm long	536 995 04	
				1500 mm long	536 995 05	
				1800 mm long	536 995 06	
				2000 mm long	536 995 07	
3	Smooth wall shelf with polished finish, 240 grain	30 mm bevel on all sides, capacity with evenly distributed load: 75 kg per linear m, with rear stand-up shelf	single-walled	Mounting distance with console max. 700 mm	300 mm deep	536 399 01
					400 mm deep	536 399 02
				max. 500 mm	500 mm deep	536 399 03
					600 mm deep	536 399 04
			double-walled	max. 700 mm	300 mm deep	536 400 01
					400 mm deep	536 400 02
				max. 500 mm	500 mm deep	536 400 03
					600 mm deep	536 400 04

NEVER STOP IMPROVING

Our brand new solutions at your service.

SHARE WITH US YOUR SPECIAL REQUEST

Covered shelving system



MEGAheat - Rolling warming cabinet



MEGAdrive ISO + DIN module in one trolley



MEGAstore with glass door



MEGAdrive full ISO modul trolley (longitudinal)



! For custom sizes, please consult with your local Partner!

MED-Systeme

MED-Systeme GmbH
Bahnhofstraße 2.
D-75056 Sulzfeld
+49 7269-32299-60
sales@med-systeme.de

www.med-systeme.com